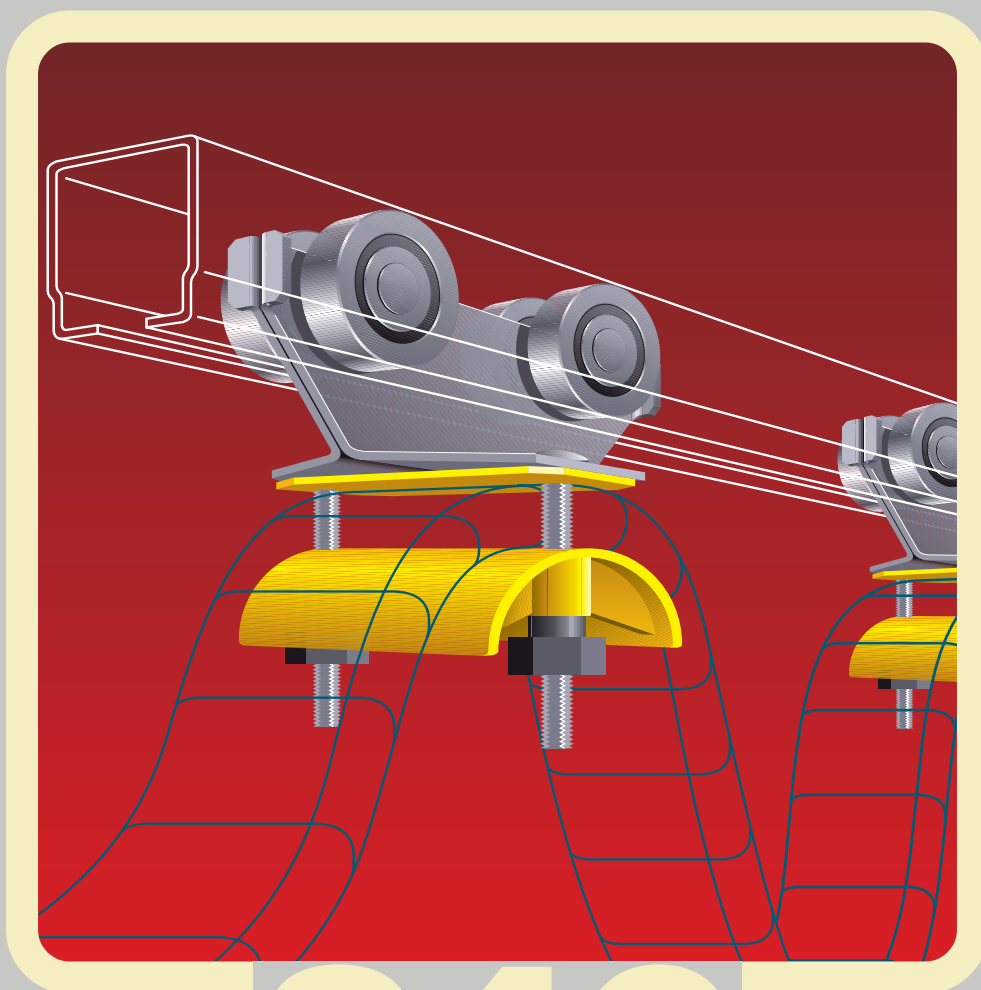


# Energy Supply Systems

## C-RAIL PROGRAMME

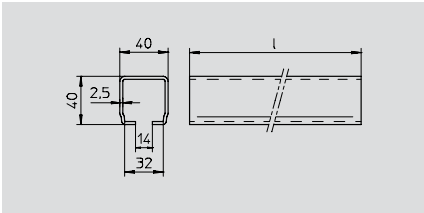
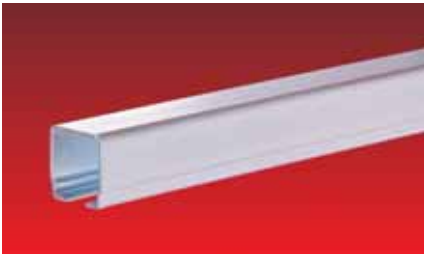


# 240

**wampfler**  
solutions for a moving world

# C-Rails and Accessories

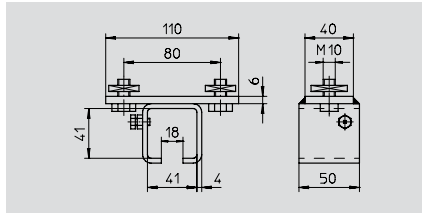
## C-Rail



Catal.-No.	Length l [mm]	Static values
024100-6	6000	$I_x = 6.74 \text{ cm}^4$
024100-4	4000	$W_x = 3.08 \text{ cm}^3$

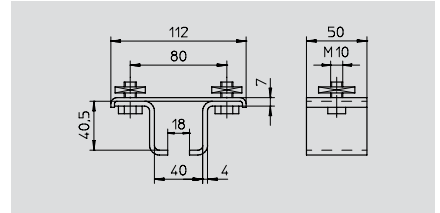
Material: galvanized steel  
Other lengths and curves are available on inquiry.

## Track Support Bracket



Catal.-No.	Type
024121	without bolts M 10
024122	with bolts M 10

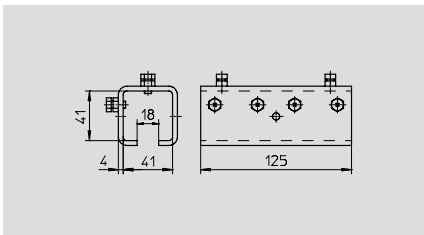
Material: galvanized steel  
Perm. load: 250 kg



Catal.-No.	Type
024152	without bolts M 10
024154	with bolts M 10

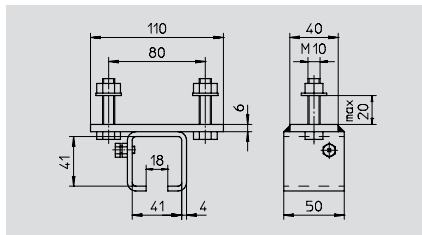
Material: galvanized steel  
Perm. load: 100 kg

## Track Coupler

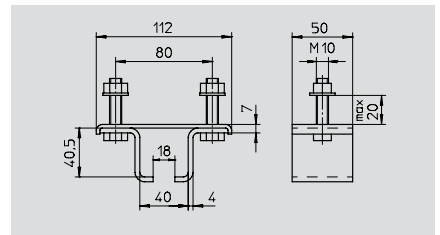


Catalogue-No.: 024105  
Material: galvanized steel

## Track Support Bracket

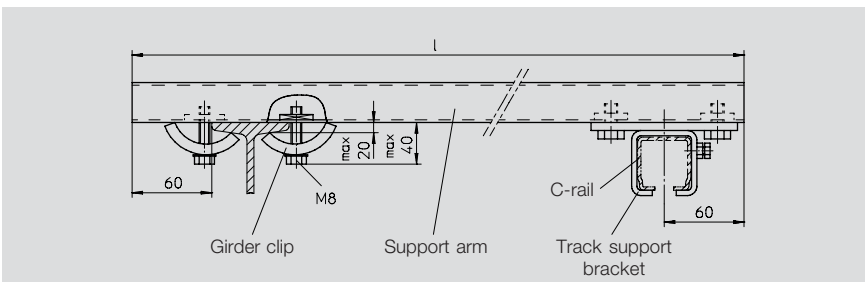


Catalogue-No.: 024123  
Material: galvanized steel  
Perm. load: 250 kg



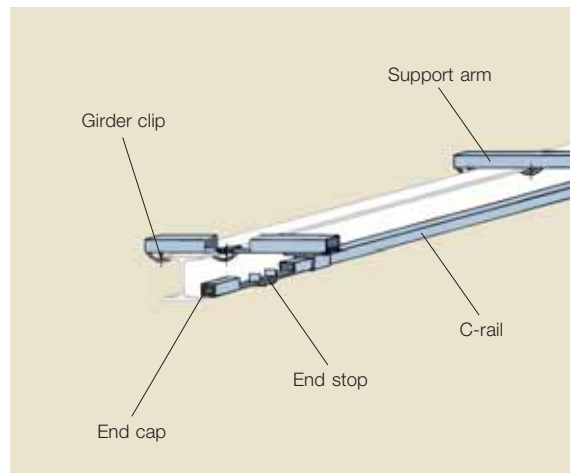
Catalogue-No.: 024156  
Material: galvanized steel  
Perm. load: 100 kg

## Support Arm and Girder Clip



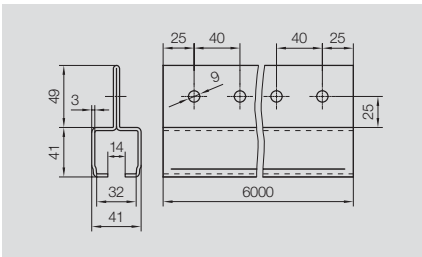
Description	Catalogue-No.	l [mm]
Support arm	020276-0500	500
Support arm	020276-1000	1000
Girder clip	020180-08	

Material: galvanized steel  
For support arm with holes, see main catalogue programme 240.



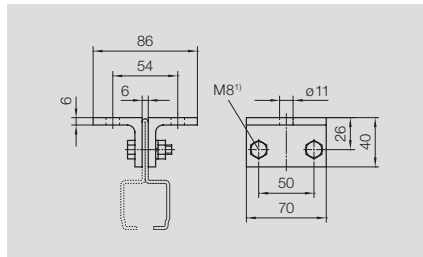
# C-Rails and Accessories

CI-Rail



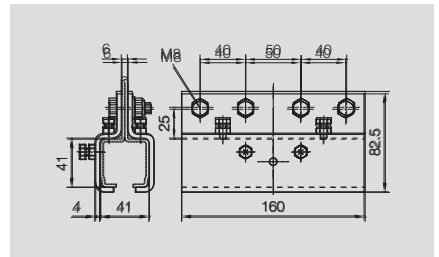
**Catalogue-No.:** 024052-6  
 Material: galvanized steel  
 Static values:  $I_x = 44.20 \text{ cm}^4$   
 $W_x = 8.98 \text{ cm}^3$   
 For bigger suspension distance.

Track Support Bracket



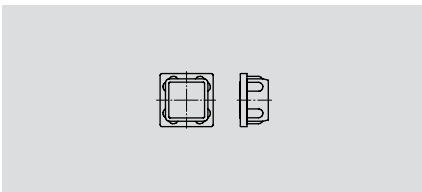
**Catalogue-No.:** 024070  
 Material: galvanized steel  
 Perm. load: 250 kg  
 1) 2 holes  $\varnothing 8.4 \text{ mm}$  spaced at 50 mm to be drilled in CI-rail.

Track Coupler



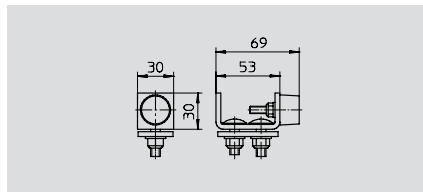
**Catalogue-No.:** 024062  
 Material: galvanized steel

End Cap



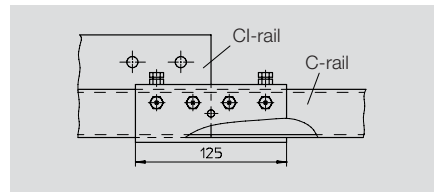
**Catalogue-No.:** 020662-40  
 Material: plastic

End Stop

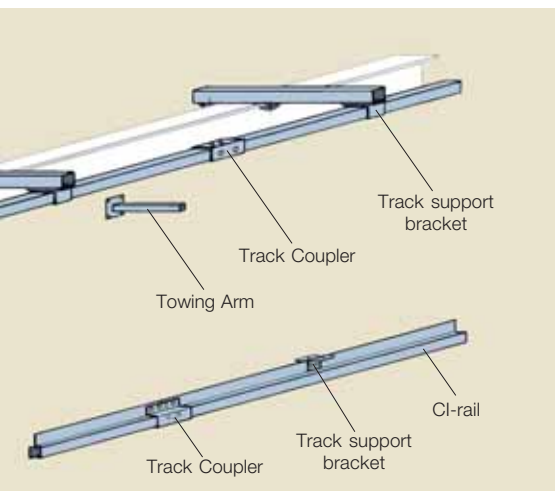


**Catalogue-No.:** 024110 without rubber buffer  
**Catalogue-No.:** 024111 with rubber buffer  
 Material: galvanized steel

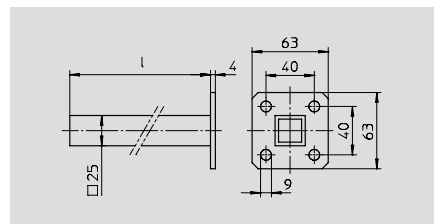
Combi-Track Coupler



**Catalogue-No.:** 024061  
 Material: galvanized steel  
 The Combi-Coupler allows the transfer from CI-rail to C-rail.



Towing Arm for Towing Trolley

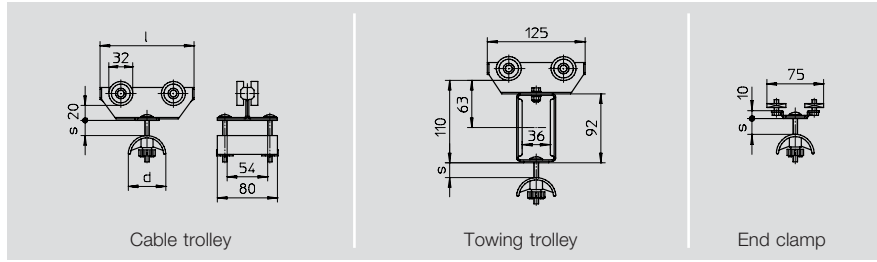


Catalogue-No.	l [mm]
020195-400	400
020195-630	630

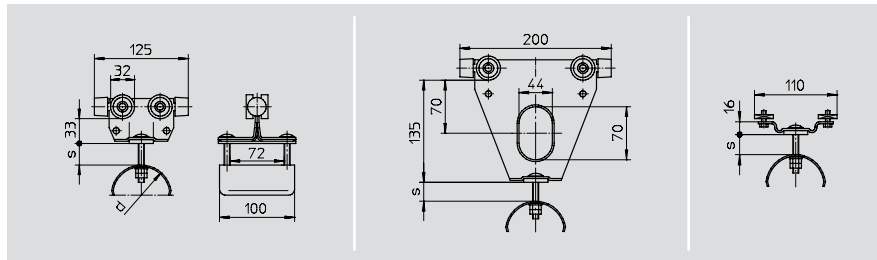
Material: galvanized steel

# Flat Cable Trolleys

## Steel Cable Trolley - Plastic or Steel Cable Support

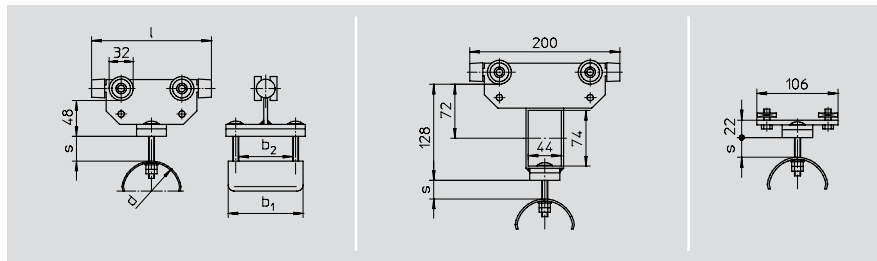


Cable trolley Catalogue-No.	Towing trolley Catalogue-No.	End clamp Catalogue-No.	d [mm]	l [mm]	s [mm]	Material Support	Type of roller	Load capacity P [kg]
024246	024256	023269	50	80	15	Plastic	Plastic roller; friction bearing	12.5
024240-80	024250	023269	50	80	15	Plastic	Ball bearing, galvanized Sealing 2 Z	32
024240	024250	023269	50	125	36			
024241	024251	023279	80	125	22			



Cable trolley Catalogue-No.	Towing trolley Catalogue-No.	End clamp Catalogue-No.	d [mm]	s [mm]
024269-125x100	024279-200x100	024289-100x038	50	35
024270-125x100	024280-200x100	024290-100x038	80	20

Support: galvanized steel  
Type of roller:  
- Ball bearing, galvanized  
- Sealing: 2 Z  
Load capacity: 32 kg



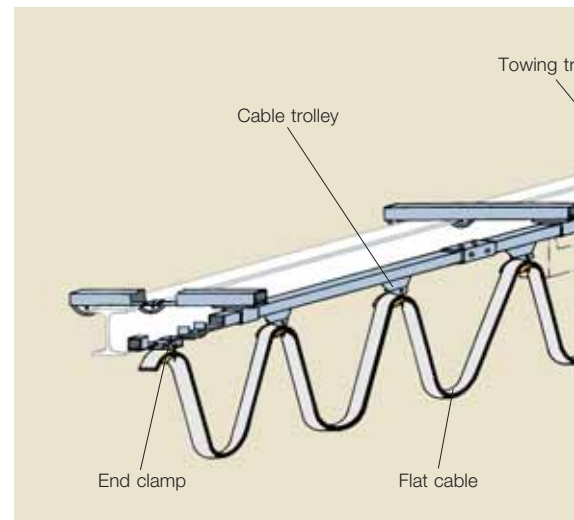
Cable trolley Catalogue-No.	Towing trolley Catalogue-No.	End clamp Catalogue-No.	d [mm]	l [mm]	b <sub>1</sub> [mm]	b <sub>2</sub> [mm]	s [mm]
024210-125x100	024220-200x100	024230-100x062	80	125	100	72	20
024210-125x160	024220-200x160	024230-160x062			160	132	
024210-160x100	024220-200x100	024230-100x062		160	100	72	38
024210-160x160	024220-200x160	024230-160x062				160	
024210-200x100	024220-200x100	024230-100x062	200	100	72	58	
024210-200x160	024220-200x160	024230-160x062			160		132
024212-160x100	024222-200x100	024232-100x042	125	160	100	72	15
024212-160x160	024222-200x160	024232-160x042			160	132	
024212-200x100	024222-200x100	024232-100x042		200	100	72	35
024212-200x160	024222-200x160	024232-160x042				160	

Support: galvanized steel  
Type of roller:  
- Ball bearing, galvanized  
- Sealing: 2 Z  
Load capacity: 32 kg

## Cable Trolley with Special Rollers

Special roller Catalogue-No.	Roller Type	Sealing	Load capacity P [kg]
...../010 <sup>1)</sup>	Ball bearing; galvanized	2 RS	32
...../017 <sup>1)</sup>	Ball bearing; galvanized; outer runner Polyurethane low noise run	2 RS	20

1) Cable trolley Catalogue-No. and Special roller Catalogue-No..



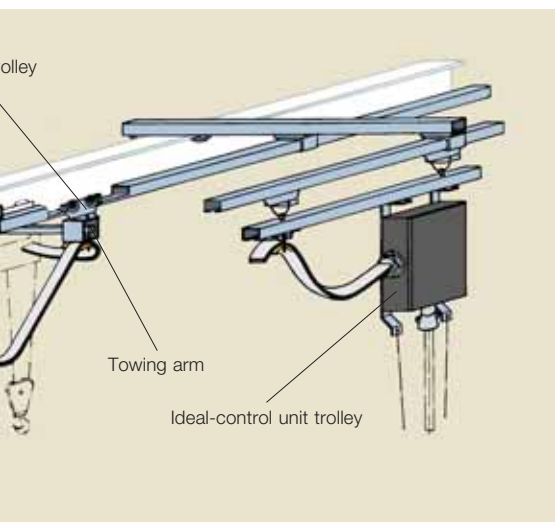
# Flat Cable Trolleys

## Rubber Flat Cables

Type	Number of cores and cross section [mm <sup>2</sup> ]	Catalogue-No.	Max. dimension s x b [mm]	Approx. weight [kg / 100 m]
NGFLGÖU-J	4x1.5	0401- 4X1.5	6.4 x 18.5	20
NGFLGÖU-J	5x1.5	0401- 5X1.5	6.4 x 21.5	24
NGFLGÖU-J	8x1.5	0401- 8X1.5	6.4 x 32.0	35
NGFLGÖU-J	10x1.5	0401-10X1.5	7.0 x 41.5	50
NGFLGÖU-J	12x1.5	0401-12X1.5	7.0 x 48.5	59
NGFLGÖU-J	4x2.5	0401- 4X2.5	8.2 x 23.0	29
NGFLGÖU-J	5x2.5	0401- 5X2.5	8.2 x 28.5	42
NGFLGÖU-J	8x2.5	0401- 8X2.5	8.2 x 42.0	55
NGFLGÖU-J	10x2.5	0401-10X2.5	8.8 x 54.5	83
NGFLGÖU-J	12x2.5	0401-12X2.5	8.8 x 58.0	86
NGFLGÖU-J	4x4	0401- 4X4	9.6 x 28.0	41
NGFLGÖU-J	7x4	0401- 7X4	9.6 x 44.0	71
NGFLGÖU-J	4x6	0401- 4X6	10.4 x 30.0	52
NGFLGÖU-J	4x10	0401- 4X10	12.1 x 36.0	80
Rubber flat cables with screened individual cores				
GCFLGÖU-O	4x1.5	0404- 4X1.5	7.4 x 19.5	25
GCFLGÖU-O	8x1.5	0404- 8X1.5	7.4 x 37.3	51

## PVC Flat Cables

Type	Number of cores and cross section [mm <sup>2</sup> ]	Catalogue-No.	Max. dimension s x b [mm]	Approx. weight [kg / 100 m]
H07VVH6-F	4G1.5	0325- 4G1.5	5.2 x 15.5	15.3
H07VVH6-F	5G1.5	0325- 5G1.5	5.2 x 18.5	18.5
H07VVH6-F	8G1.5	0325- 8G1.5	5.2 x 31.0	29.7
H07VVH6-F	10G1.5	0325-10G1.5	5.2 x 37.0	36.2
H07VVH6-F	12G1.5	0325-12G1.5	5.2 x 41.5	42.8
H07VVH6-F	4G2.5	0325- 4G2.5	5.9 x 19.0	22.4
H07VVH6-F	5G2.5	0325- 5G2.5	5.9 x 22.5	26.9
H07VVH6-F	8G2.5	0325- 8G2.5	5.9 x 38.0	43.7
H07VVH6-F	10G2.5	0325-10G2.5	5.9 x 45.0	53.4
H07VVH6-F	12G2.5	0325-12G2.5	5.9 x 52.0	62.8
H07VVH6-F	4G4	0325- 4G4	7.1 x 22.0	31.0
H07VVH6-F	7G4	0325- 7G4	7.1 x 38.0	53.7
H07VVH6-F	4G6	0325- 4G6	7.8 x 25.0	41.5
H07VVH6-F	4G10	0325- 4G10	9.9 x 31.5	68.0
H07VVH6-F	4G16	0325- 4G16	11.2 x 36.5	99.0
PVC flat cables with screened individual cores				
YCFLY-O	4x1	0320- 4X1	5.0 x 13.9	13.1
YCFLY-O	8x1.5	0320- 8X1.5	6.0 x 32.4	37.5
YCFLY-O	12x1.5	0320-12X1.5	5.9 x 52.0	61.0



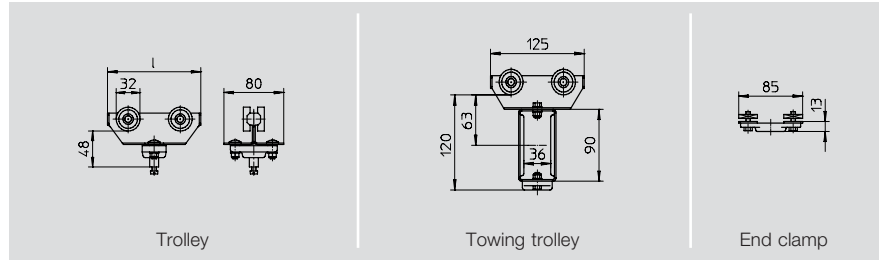
## Cable Glands and Lock Nuts

Thread	Flat cable gland Catalogue-No.	for cable dimension s x b [mm]				Lock nut Catalogue-No.
		min.	max.	min.	max.	
M25	020626-25x16	4.0	5.5	13	16.0	020657-25
M25	020626-25x21	4.5	7.5	14	19.5	020657-25
M32	020626-32x29	5.0	10.0	19	25.0	020657-32
M40	020626-40x29	5.0	10.0	19	27.0	020657-40
M50	020626-50x36	5.0	13.0	29	38.5	020657-50
M50	020626-50x42	5.0	14.0	38	41.0	020657-50
M63	020626-63x48	5.0	18.0	44	46.0	020657-63

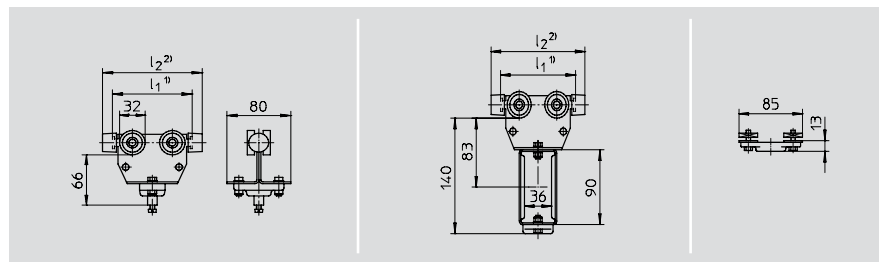
Material: case: impact resistant plastic; seal: oil resistant rubber; thrust washer: galvanized steel. For metal types see main catalogue programme 240 or catalogue cables and accessories programme 130.

# Round Cable Trolleys

## Steel Trolley with Ball Joint



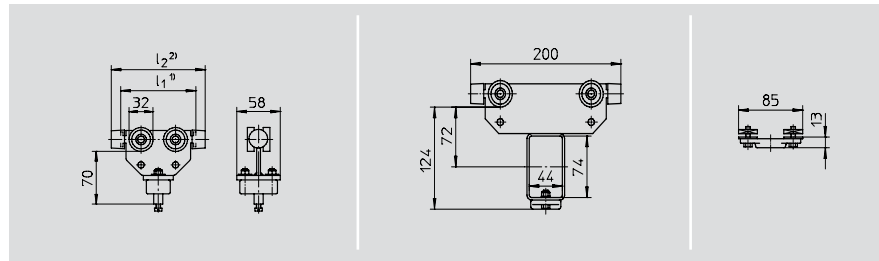
Trolley Catalogue-No.	l [mm]	Towing trolley Catalogue-No.	End clamp Catalogue-No.	Type of roller	Load capacity P [kg]
024303	80	024304	024312	Plastic roller; friction bearing	12.5
024313-80	80	024314	024312	Ball bearing, galvanized Sealing 2 Z	32
024313	125				



Trolley Catalogue-No.	l <sub>1</sub> [mm]	l <sub>2</sub> [mm]	Towing trolley Catalogue-No.	l <sub>1</sub> [mm]	l <sub>2</sub> [mm]	End clamp Catalogue-No.
024306-100	100	-	024307-100	100	-	024312
024306-125	-	125	024307-125	-	125	

- 1) Trolley without rubber buffer  
2) Trolley with rubber buffer

Type of roller:  
- Ball bearing, galvanized; Sealing 2 Z  
Load capacity: 32 kg



Trolley Catalogue-No.	l <sub>1</sub> [mm]	l <sub>2</sub> [mm]	Towing trolley Catalogue-No.	End clamp Catalogue-No.
024310-100	100	-	024311	024312
024310-125	-	125		
024310-160	-	160		

- 1) Trolley without rubber buffer  
2) Trolley with rubber buffer

Type of roller:  
- Ball bearing, galvanized; Sealing 2 Z  
Load capacity: 32 kg



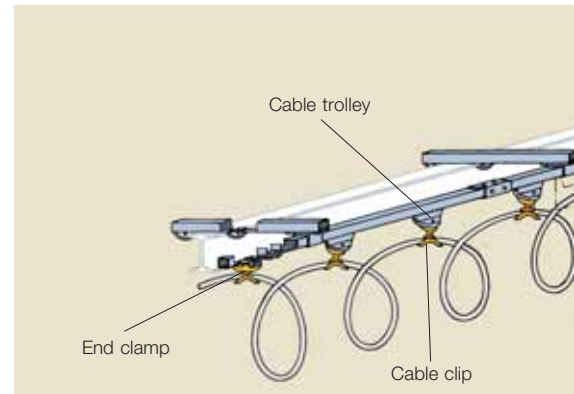
Cable clip Catalogue-No.	Cable diameter [mm]
020131-16	10 - 16
020131-25	17 - 25
020131-36	26 - 36

Alternatively it is possible to fit two or more similar or different cable clips to the trolleys. When fitting different cable clips, the largest cable clip has to be fitted on top.

## Trolley with Special Rollers

Special roller Catalogue-No.	Roller Type	Sealing	Load capacity P [kg]
..... /010 <sup>3)</sup>	Ball bearing; galvanized	2 RS	32
..... /017 <sup>3)</sup>	Ball bearing; galvanized; outer runner Polyurethane low noise run	2 RS	20

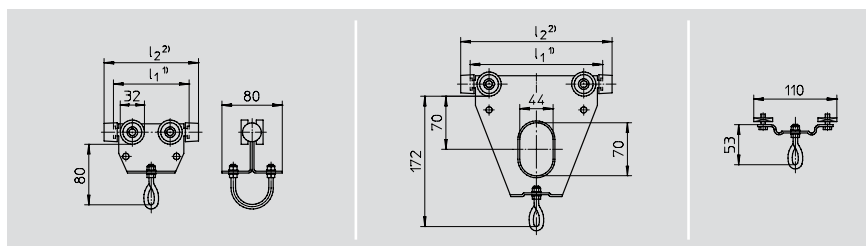
3) Cable trolley Catalogue-No. and Special roller Catalogue-No..





# Round Cable Trolleys

## Steel Trolley with U Bolt



Trolley			Towing trolley			End clamp Catalogue-No.
Catalogue-No.	l <sub>1</sub> [mm]	l <sub>2</sub> [mm]	Catalogue-No.	l <sub>1</sub> [mm]	l <sub>2</sub> [mm]	
024316-100	100	-	024317-175	175	-	024318
024316-125	-	125	024317-200	-	200	
024320-100 <sup>3)</sup>	100	-	024321 <sup>3)</sup>	-	200	024322 <sup>3)</sup>
024320-125 <sup>3)</sup>	-	125				
024320-160 <sup>3)</sup>	-	160				

- 1) Trolley without rubber buffer.  
 2) Trolley with rubber buffer.  
 3) Welded type. Cable trolley upper part see Catalogue-No. 024310 and 024311, page 6.

Type of roller:  
 - Ball bearing, galvanized; Sealing 2 Z  
 Load capacity: 32 kg



Cable clip Catalogue-No.	Cable diameter [mm]
020133-16	10 - 16
020133-25	17 - 25
020133-36	26 - 36

The cable clips 020131 fit below the cable clips with bracket 020133.

## Plastic Trolley with Hook



**Trolley**  
**Catal.-No.:** 024505  
 Type of roller:  
 - Plastic roller,  
 - Friction bearing;  
 Load capacity: 10 kg  
 Trolley with special rollers are not available.  
**End clamp**  
**Catal.-No.:** 020219

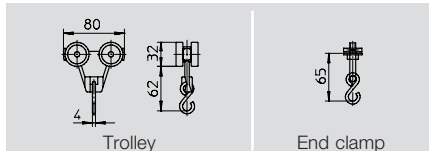


**Thong, Catalogue-No.:** 020117-080  
 Thong max. ø 80mm;  
 preferable for hoses



Plastic cable collar

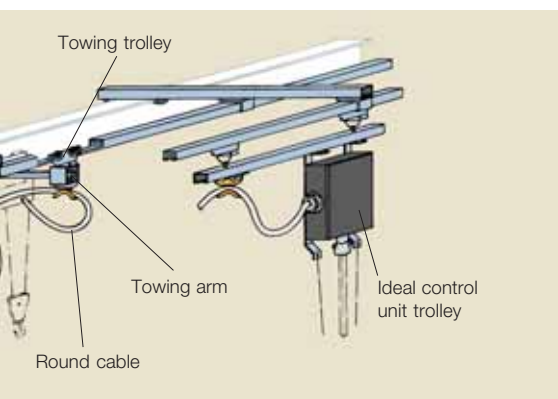
Cable collar		Cable collar	
Catal.-No.	ø [mm]	Catal.-No.	ø [mm]
020111-10	10	020111-20	20
020111-11	11	020111-22	22
020111-12.5	12.5	020111-25	25
020111-14	14	020111-28	28
020111-16	16	020111-32	32
020111-18	18	020111-36	36



## Compressed-air Hoses

Catal.-No.	Hose ø		Pressure at 20°C [bar]
	interior [mm]	exterior [mm]	
040421-1	6	12	23
040421-2	9	15	19
040421-3	12	21	16

Material: clear PVC with textile braid; oil and gasoline resistant.



## Rubber Round Cables

Type	No. of cores and nom. cross section [mm <sup>2</sup> ]	Catalogue-No.	Outer diameter min. - max. [mm]	Approx. weight [kg / 100 m]
H07RN-F	4G1.5	0601- 4G1.5	10.5 - 13.5	21
H07RN-F	4G2.5	0601- 4G2.5	12.5 - 15.5	30
H07RN-F	4G4	0601- 4G4	14.5 - 18.0	40
H07RN-F	4G6	0601- 4G6	16.5 - 22.0	54
H07RN-F	5G1.5	0601- 5G1.5	11.5 - 15.0	23
H07RN-F	5G2.5	0601- 5G2.5	13.5 - 17.0	36
A07RN-F	7G1.5	0602- 7G1.5	14.0 - 17.5	37
A07RN-F	7G2.5	0602- 7G2.5	16.5 - 20.0	52
A07RN-F	12G1.5	0602-12G1.5	18.0 - 23.0	57
A07RN-F	12G2.5	0602-12G2.5	18.5 - 26.5	80

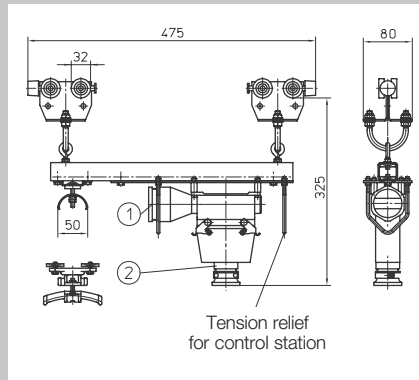
## Cable Glands and Accessories

Thread	Round cable gland Catalogue-No.	Cable-ø range[mm]	Lock nut Catalogue-No.
M20	020646-20x13	10 - 12	020657-20
M25	020646-25x16	12 - 14	020657-25
M25	020646-25x21	15 - 17	020657-25
M32	020646-32x29	17 - 26	020657-32

Material: case: impact resistant plastic; seal: oil resistant rubber; thrust washer: galvanized steel. For metal types see main catalogue programme 240 or catalogue cables and accessories programme 130.

# Ideal Control Unit Trolley

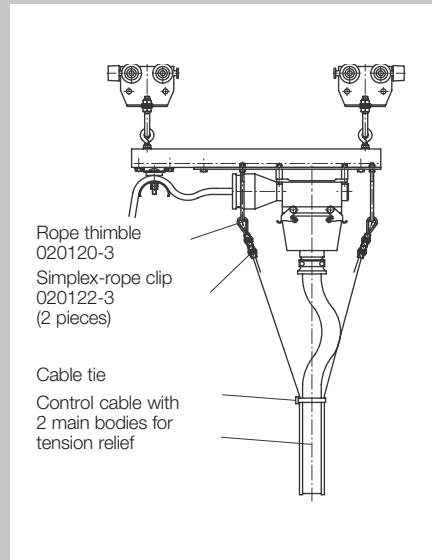
## Ideal Control Unit Trolley with Plug and Socket Connection



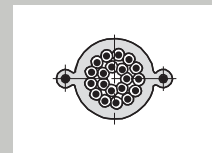
Nominal voltage 400 V; Nominal current 16 A; protection type IP55; screw connection 2.5 mm<sup>2</sup>

Catalog No.	Type cable	Number of terminals	Cable connector		Perm. load [kg]
			①	②	
024778-16	Flat cable	16 + E	M25x1.5	M25x1.5	40
024778-24		24 + E	Pg42	M32x1.5	
024779-16	Round cable	16 + E	M25x1.5	M25x1.5	
024779-24		24 + E	Pg29	M32x1.5	

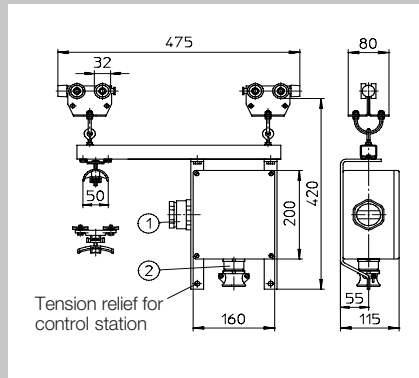
## Accessories



PVC control cable with two strainer wires; type: MTTY-O



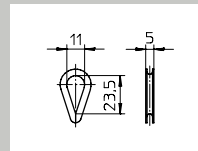
## Ideal Control Unit Trolley with Terminal Box



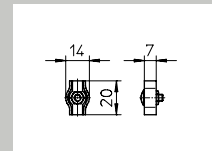
Nominal voltage 400 V; Nominal current 16 A; protection type IP54; screw connection 4 mm<sup>2</sup>

Catalog No.	Type cable	Number of terminals	Cable connector		Perm. load [kg]
			①	②	
024774-16	Flat cable	16 + E	M50x1.5	M25x1.5	40
024774-24		24 + E		M32x1.5	
024775-16	Round cable	16 + E	M32x1.5	M25x1.5	
024775-24		24 + E		M32x1.5	

Catalog No.	No. of conduct.	Wire size
0609-12x1.5	12	16 AWG 1.5 mm <sup>2</sup>
0609-16x1.5	16	
0609-20x1.5	20	
0609-24x1.5	24	



Rope thimble Catalogue-No.: 020120-3  
galvanized steel



Simplex rope clip Catalogue-No.: 020122-3  
galvanized steel

We also offer an extensive standard programme in our main catalogue, programme 240.

**wampfler**  
solutions for a moving world

Wampfler AG • Rheinstrasse 27+33 • D-79576 Weil am Rhein-Maerkt  
Customer Support: Phone +49 (0) 7621 / 66 22 22 • Fax +49 (0) 7621 / 662-144  
E-Mail: info@wampfler.com • http://www.wampfler.com