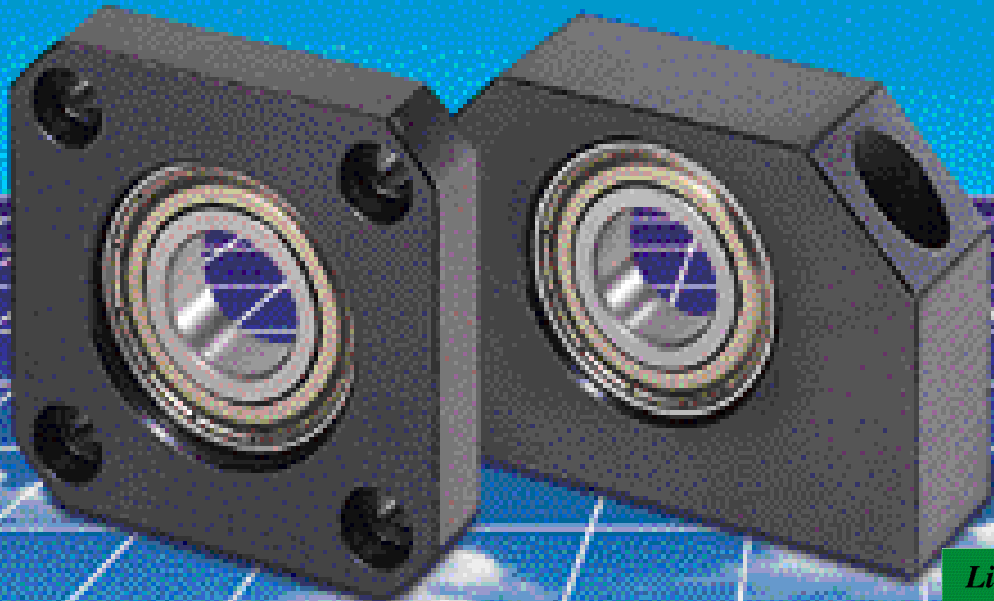




SUPPORT UNIT



Linear Rail
System

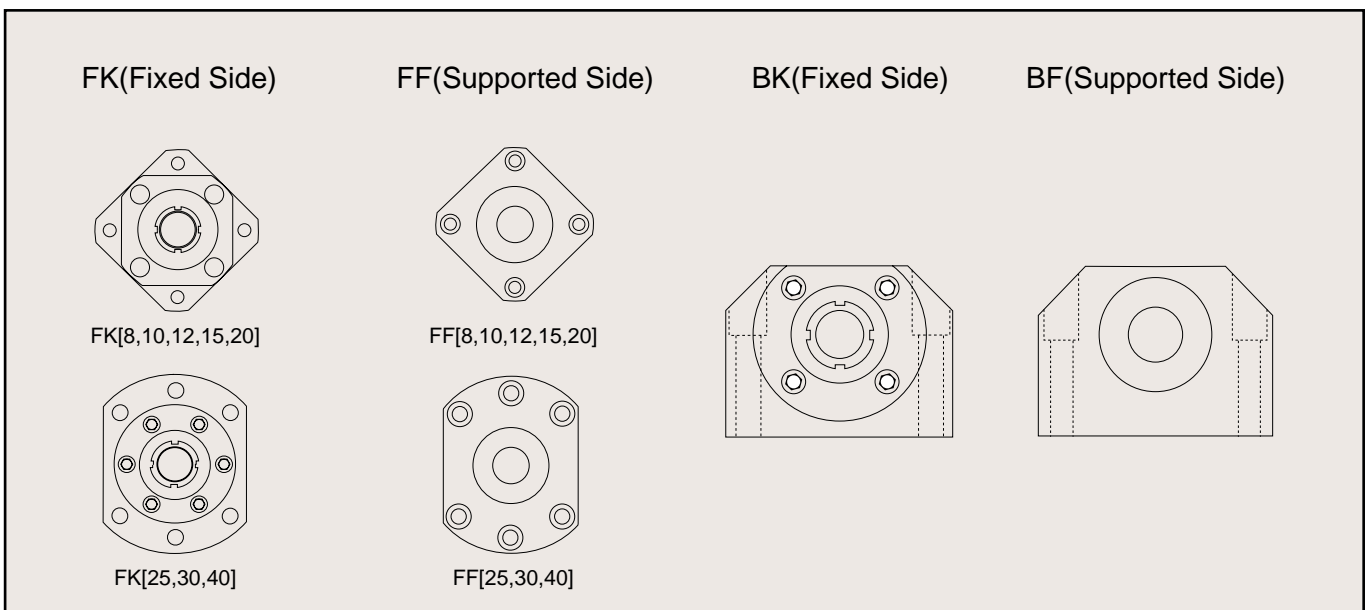
SBC

● **SBC SUPPORT UNIT**

	Fixed Side	Supported Side
Round type	FK	FF
Rectangular type	BK	BF

● **SBC SUPPORT UNITS AND APPLICABLE SCREW-SHAFT DIAMETERS**

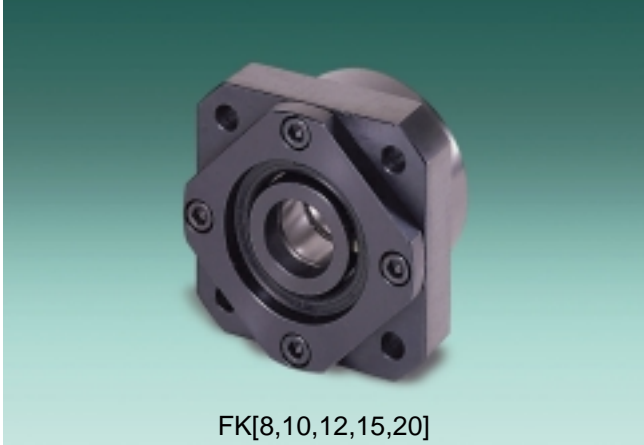
Fixed-Side Support Unit ID (mm)	Fixed-Side Support Unit Applicable Model NO.	Supported-Side Support Unit ID (mm)	Supported-Side Support Unit Applicable Model No.	Applicable Screw-shaft OD (mm)
8	BK 8 FK 8	6	BF 8 FF 8	φ10
10	BK 10 FK 10	8	BF 10 FF 10	φ10, φ12, φ14
12	BK 12 FK 12	10	BF 12 FF 12	φ14, φ15, φ16
15	BK 15 FK 15	15	BF 15 FF 15	φ20
17	BK 17	17	BF 17	φ20, φ25
20	BK 20 FK 20	20	BF 20 FF 20	φ25, φ28, φ32
25	BK 25 FK 25	25	BF 25 FF 25	φ36
30	BK 30 FK 30	30	BF 30 FF 30	φ40, φ45
40	BK 40 FK 40	40	BF 40 FF 40	φ50



● **LOAD CAPACITY**

Unit : kgf

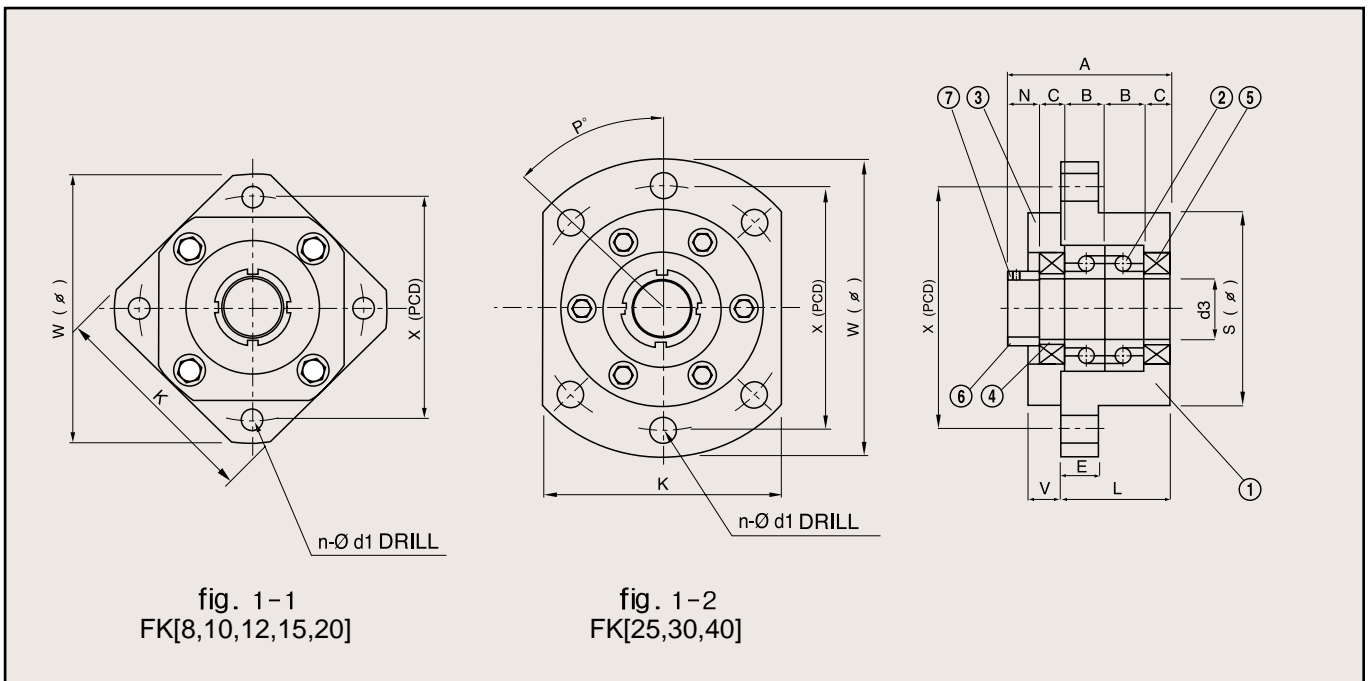
Size			Model	Ball Bearing	Axial Dynamic Load	Radial Dynamic Load	Permissible Load
φ8	Fixed	Block type	BK8	608ZZ	164	335	-
		Flange type	FK8				
	Supported	Block type	BF8	606ZZ	-	231	-
		Flange type	-				
φ10	Fixed	Block type	BK10	7000ADF	670	-	278
		Flange type	FK10				
	Supported	Block type	BF10	608ZZ	-	335	-
		Flange type	FF10				
φ12	Fixed	Block type	BK12	7001ADF	725	-	310
		Flange type	FK12				
	Supported	Block type	BF12	6000ZZ	-	465	-
		Flange type	FF12				
φ15	Fixed	Block type	BK15	7002ADF	775	-	407
		Flange type	FK15				
	Supported	Block type	BF15	6002ZZ	-	570	-
		Flange type	FF15				
φ17	Fixed	Block type	BK17	7203ADF	1400	-	595
		Flange type	-				
	Supported	Block type	BF17	6203ZZ	-	975	-
		Flange type	-				
φ20	Fixed	Block type	BK20	7004ADF	1295	-	970
		Flange type	FK20	7204BDF	1830		
	Supported	Block type	BF20	6004ZZ	-	955	-
		Flange type	FF20	6204ZZ		1300	
φ25	Fixed	Block type	BK25	7205ADF	2060	-	1170
		Flange type	FK25				
	Supported	Block type	BF25	6205ZZ	-	1430	-
		Flange type	FF25				
φ30	Fixed	Block type	BK30	7206ADF	2860	-	1660
		Flange type	FK30				
	Supported	Block type	BF30	6206ZZ	-	1980	-
		Flange type	FF30				
φ40	Fixed	Block type	BK40	7208ADF	4500	-	2770
		Flange type	FK40				
	Supported	Block type	BF40	6208ZZ	-	2970	-
		Flange type	FF40				



FK[8,10,12,15,20]

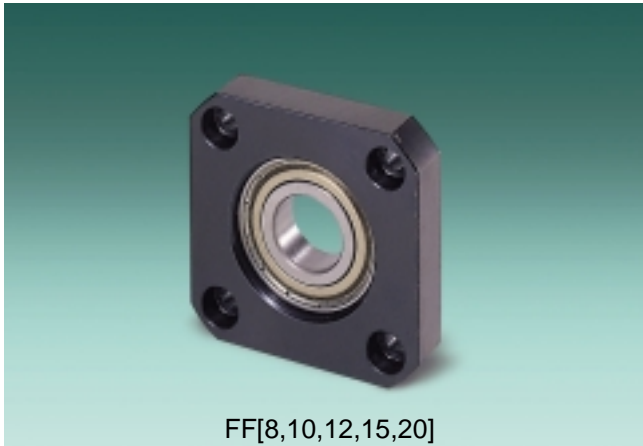


FK[25,30,40]



Reference	W	L	S <small>-0.005 -0.015</small>	K	E	V	X	Mounting Dimension			M	A	B	C	N	d3	BRG	
								n	d1	P°								
FK 8	43	21	28	35	7	5	35	4	3.4	90	M8*1	30	7	5	6	8	608	fig.1-1
FK10	52	25	34	42	7	6	42	4	4.5	90	M10*1	38	8	7	8	10	7000A	
FK12	54	25	36	44	8	6	44	4	4.5	90	M12*1	38	8	7	8	12	7001A	
FK15	63	27	40	52	10	7	50	4	5.5	90	M15*1	40	9	7	8	15	7002A	
FK20	85	37	57	68	15	7	70	4	6.6	90	M20*1	52	14	7	10	20	7204B	
FK25	122	42	80	92	15	11	100	6	11	45	M25*1.5	62	15	10	12	25	7205B	fig.1-2
FK30	138	45	90	106	16	12	116	6	11	45	M30*1.5	66	16	11	12	30	7206B	
FK40	176	61	120	128	19	15	150	6	14	45	M40*1.5	82	18	16	14	40	7208B	

FK PART LIST		
No	PART NAME	Q'ty
①	HOUSING	1
②	BEARING	2
③	BRACKET	1
④	COLLAR	2
⑤	SEAL	2
⑥	RING NUT	1
⑦	SET SCREW	1



FF[8,10,12,15,20]



FF[25,30,40]

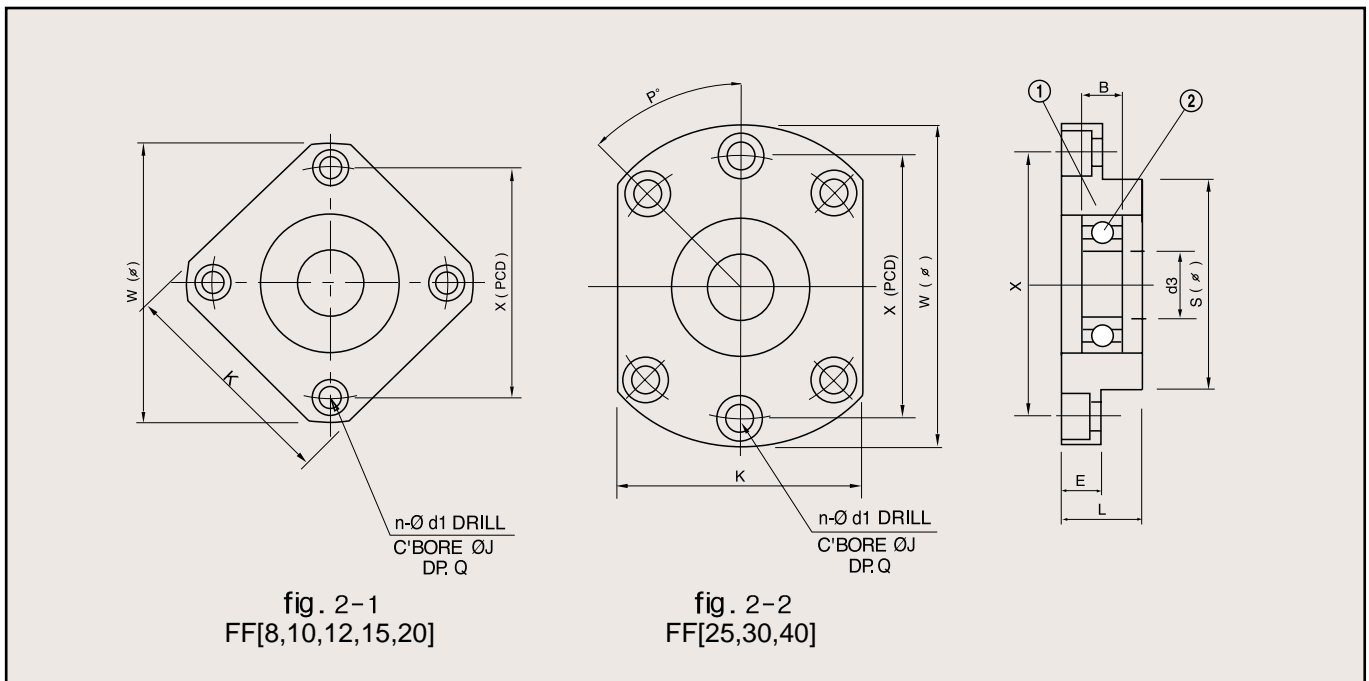
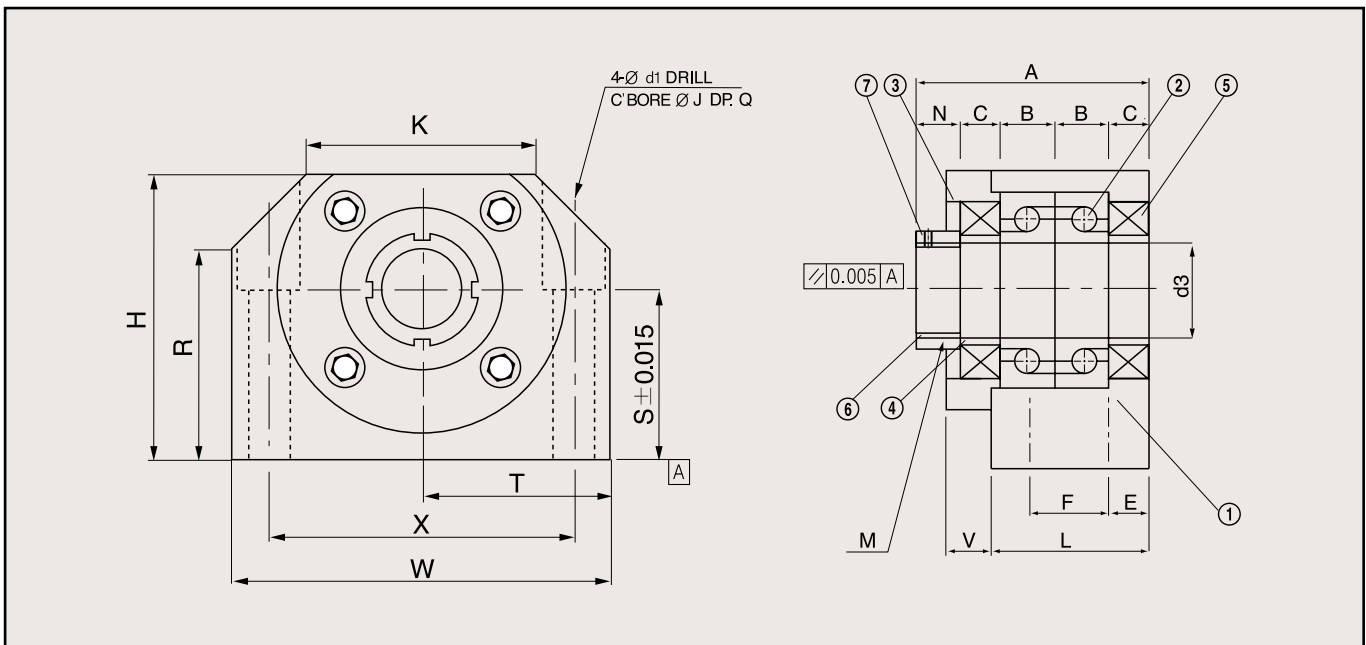
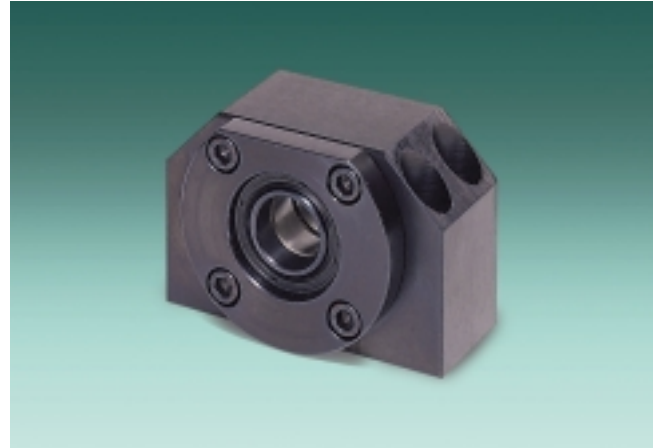


fig. 2-1
FF[8,10,12,15,20]

fig. 2-2
FF[25,30,40]

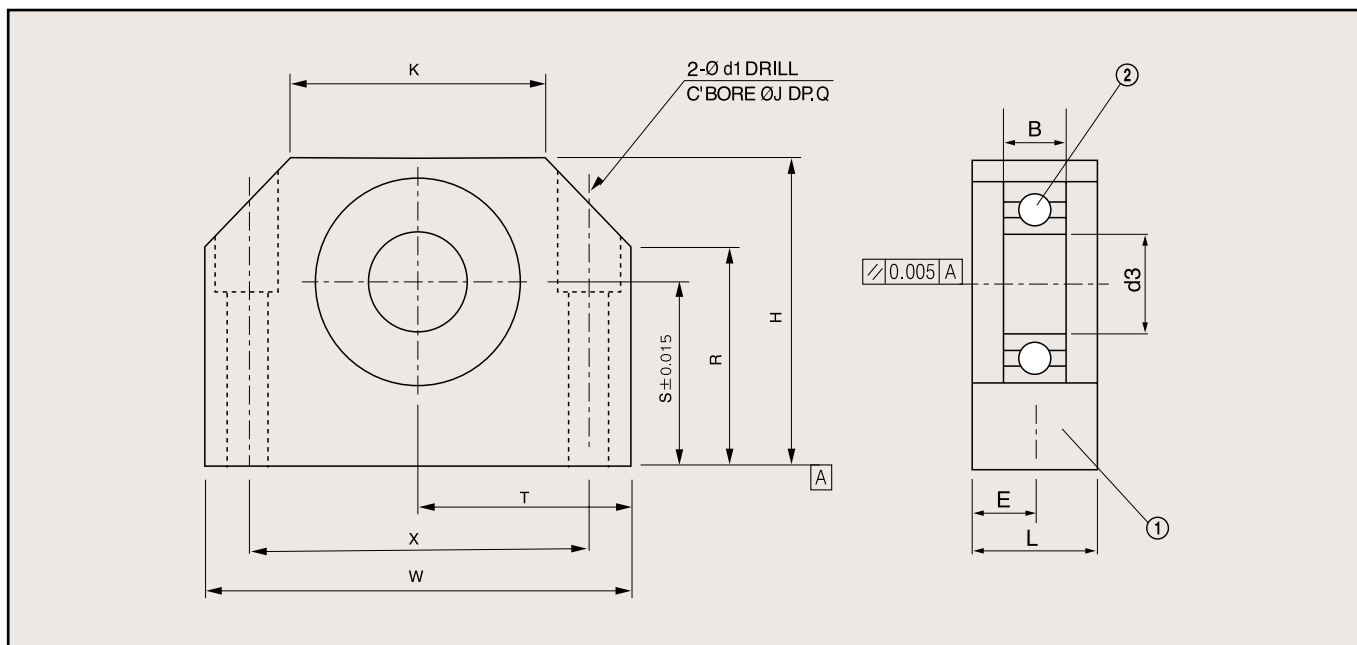
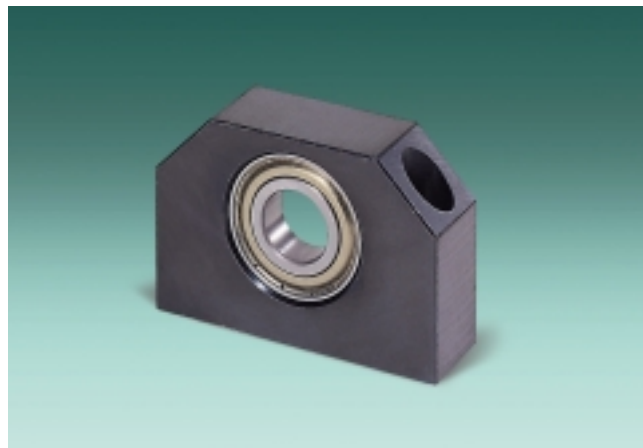
Reference	W	L	S -0.005 -0.015	K	E	X	Mounting Dimension					d3	B	BRG	
							n	d1	J	Q	P°				
FF8	43	11	28	35	6	35	4	3.4	6.5	4	90	6	6	606	fig. 2-1
FF10	52	12	34	42	7	42	4	4.5	8	5	90	8	7	608	
FF12	54	15	36	44	8	44	4	4.5	8	5	90	10	8	6000	
FF15	63	17	40	52	9	50	4	5.5	9.5	6	90	15	9	6002	
FF20	85	20	57	68	14	70	4	6.6	11	10	90	20	14	6204	
FF25	122	30	80	92	15	100	6	11	17.5	11	45	25	15	6205	fig. 2-2
FF30	138	32	90	106	15	116	6	11	17.5	11	45	30	16	6206	
FF40	176	36	120	128	18	150	6	14	20	13	45	40	18	6208	

FF PART LIST		
No	PART NAME	Q'ty
①	HOUSING	1
②	BEARING	1
③	SNAP RING	1



Reference	W	H	S	R	T	X	K	Mounting Dimension			M	L	E	F	V	A	B	C	N	d3	BRG
								d1	J	q											
BK8	52	32	17	18.5	26	38	25	6.6	11	6.5	M8*1	23	11.5		5	33	7	6	6	8	608
BK10	60	39	22	26	30	46	34	6.6	11	6.5	M10*1	25	6	13	6	38	8	7	8	10	7000A
BK12	60	43	25	30	30	46	34	6.6	11	6.5	M12*1	25	6	13	6	38	8	7	8	12	7001A
BK15	70	48	28	33	35	54	40	6.6	11	6.5	M15*1	27	6	15	7	40	9	7	8	15	7002A
BK17	86	64	39	46	43	68	50	9	14	8.5	M17*1	35	8	19	9	52	12	9	10	17	7203A
BK20	88	60	34	42	44	70	52	9	14	8.5	M20*1	35	8	19	9	52	12	9	10	20	7004A
BK25	106	80	48	59	53	85	64	11	17.5	11	M25*1.5	42	10	22	11	62	15	10	12	25	7205B
BK30	128	89	51	63	64	102	76	14	20	13	M30*1.5	45	11	23	12	66	16	11	12	30	7206B
BK40	160	110	60	80	80	130	100	18	26	17.5	M40*1.5	61	14	33	15	82	18	16	14	40	7208B

BK PART LIST		
No	PART NAME	Q'ty
①	HOUSING	1
②	BEARING	2
③	BRACKET	1
④	COLLAR	2
⑤	SEAL	2
⑥	RING NUT	1
⑦	SET SCREW	1



Reference	W	H	S	R	T	X	K	Mounting Dimension			L	E	d3	B	BRG
								d1	J	Q					
BF8	52	32	17	18.5	26	38	25	6.6	11	6.5	20	10	6	6	606
BF10	60	39	22	26	30	46	34	6.6	11	6.5	20	10	8	7	608
BF12	60	43	25	30	30	46	34	6.6	11	6.5	20	10	10	8	6000
BF15	70	48	28	33	35	54	40	6.6	11	6.5	20	10	15	9	6002
BF17	86	64	39	46	43	68	50	9	14	8.5	23	11.5	17	12	6203
BF20	88	60	34	42	44	70	52	9	14	8.5	26	13	20	12	6004
BF25	106	80	48	59	53	85	64	11	17.5	11	30	15	25	15	6205
BF30	128	89	51	63	64	102	76	14	20	13	32	16	30	16	6206
BF40	160	110	60	80	80	130	100	18	26	17.5	37	18.5	40	18	6208

BF PART LIST		
No	PART NAME	Q'ty
①	HOUSING	1
②	BEARING	1
③	SNAP RING	1