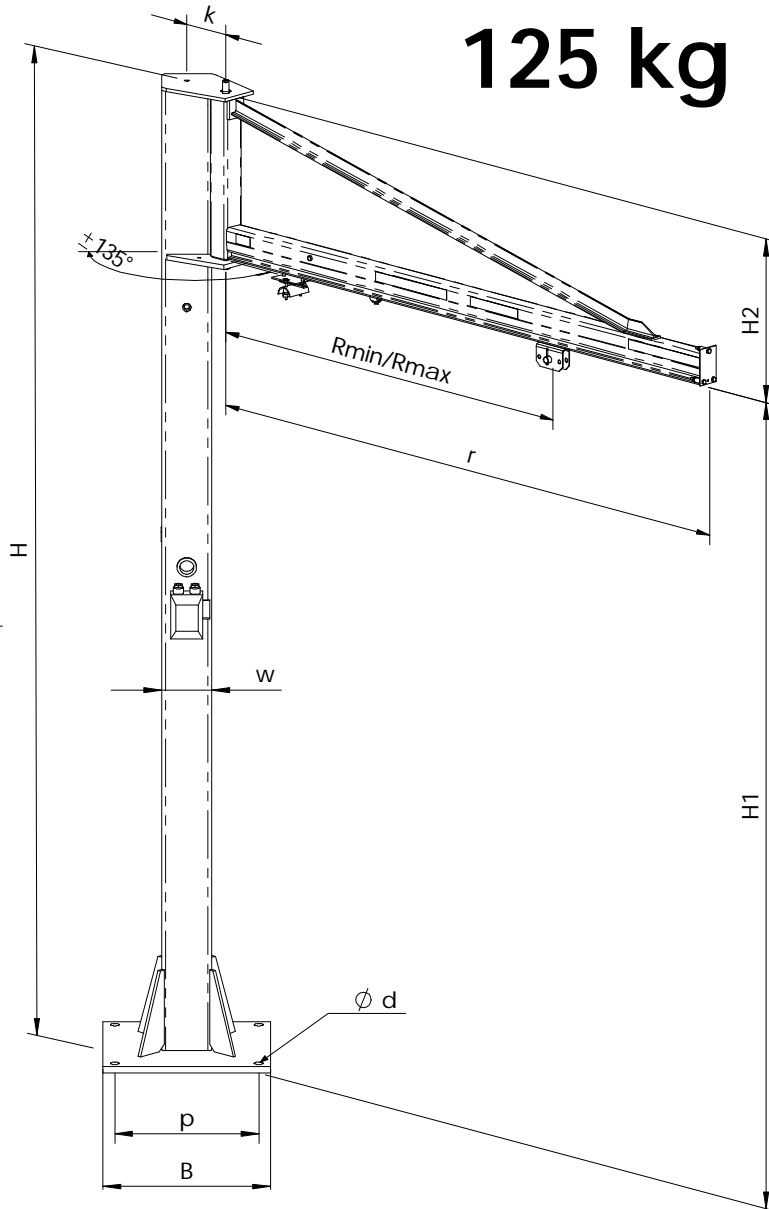


# 125 kg

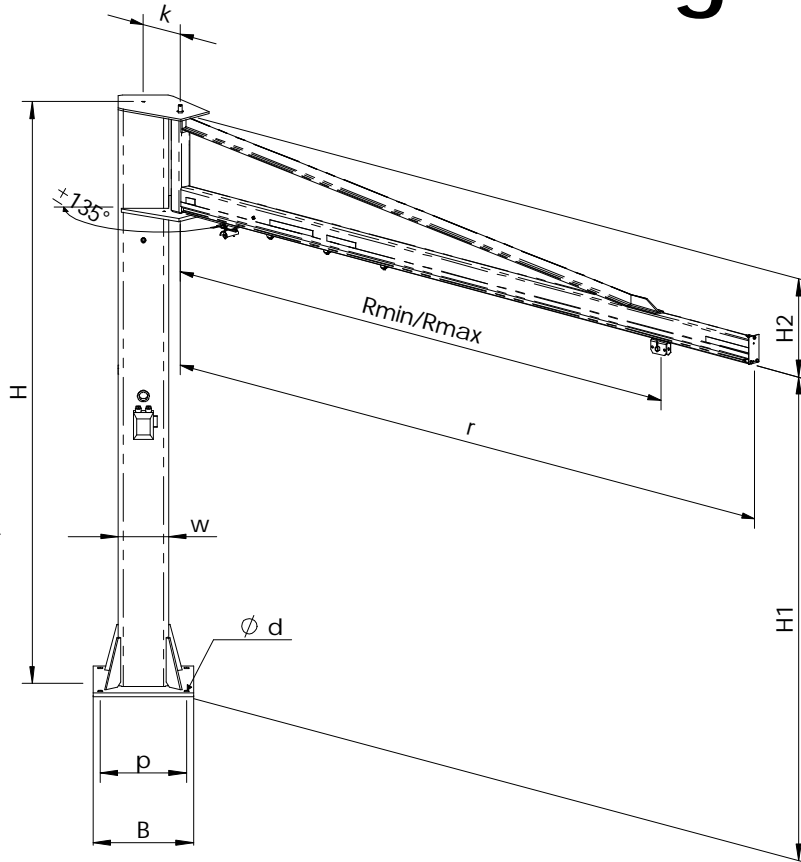


R	Rmax	Rmin	H1 (mm)	prod.nr.	H (mm)	H2 (mm)	r (mm)	k (mm)	w (mm)	deflect. (mm)	profile (mm)	base plate (round)	weight (kg)	base plate (square)	weight (kg)
2	1940	475	2500	60100225	3007					9			112		145
			3000	60100230	3507					11			123		156
			3500	60100235	4007	507	2043	165	150	12	95	D 300	135	B 500x500	167
			4000	60100240	4507					13		p 230	146	p 430x430	179
			4500	60100245	5007					14		d 4x 27mm	157	d 4x 27mm	190
3	2940	535	5000	60100250	5507					16			169		201
			2500	60100325	3007					21			119		152
			3000	60100330	3507					24			130		163
			3500	60100335	4007	507	3043	165	150	26	95	D 300	142	B 500x500	174
			4000	60100340	4507					29		p 230	153	p 430x430	186
4	3940	575	4500	60100345	5007					32		d 4x 27mm	164	d 4x 27mm	197
			5000	60100350	5507					35			176		208
			2500	60100425	3007					23			187		211
			3000	60100430	3507					25			207		231
			3500	60100435	4007	507	4043	200	200	27	95	D 400	226	B 500x500	250
5	4940	635	4000	60100440	4507					28		p 330	246	p 430x430	270
			4500	60100445	5007					30		d 8x 27mm	265	d 4x 27mm	289
			5000	60100450	5507					32			285		309
			2500	60102525	3007					27			220		244
			3000	60102530	3507					29			240		264
6	5940	695	3500	60102535	4007	507	5043	200	200	32	125	D 400	260	B 500x500	284
			4000	60102540	4507					35		p 330	280	p 430x430	304
			4500	60102545	5007					38		d 8x 27mm	300	d 4x 27mm	324
			5000	60102550	5507					41			320		344
			2500	60102625	3007					27			278		295
7	6967	780	3000	60102630	3507					29			302		319
			3500	60102635	4007	507	6043	260	250	31	125	D 470	326	B 500x500	343
			4000	60102640	4507					33		P 400	350	p 430x430	367
			4500	60102645	5007					35		d 8x 30mm	374	d 4x 27mm	391
			5000	60102650	5507					37			398		415
8	7967	780	2500	60110725	3304					26			386		444
			3000	60110730	3804					29			410		468
			3500	60110735	4304	804	7072	260	250	31	170	D 470	434	B 700x700	492
			4000	60110740	4804					34		p 400	458	p 580x580	516
			4500	60110745	5304					36		d 8x 30mm	482	d 8x 30mm	540
9	8967	780	5000	60110750	5804					39			506		564
			2500	60110825	3304					33			410		468
			3000	60110830	3804					36			434		492
			3500	60110835	4304	804	8072	260	250	39	170	D 470	458	B 700x700	516
			4000	60110840	4804					42		p 400	482	p 580x580	540
10	9967	780	4500	60110845	5304					46		d 8x 30mm	506	d 8x 30mm	564
			5000	60110850	5804					49			530		588

THIS DRAWING EMBODIES A CONFIDENTIAL PROPRIETARY DESIGN ORIGINATED BY ERIKKILA NOSTOTENNIKAA OY AND ALL DESIGN, MANUFACTURING, PRODUCTION, USE, AND SALES RIGHTS REGARDING THE SAME, ARE EXPRESSLY RESERVED. IT IS SUBMITTED UNDER A CONFIDENTIAL RELATIONSHIP FOR A SPECIFIC PURPOSE, AND THE RECIPIENT AGREES BY ACCEPTING THIS DRAWING NOT TO SUPPLY OR DISCLOSE ANY INFORMATION REGARDING IT TO ANY UNAUTHORIZED PERSON, OR TO INCORPORATE IN OTHER PROJECTS ANY SPECIAL FEATURES PECULIAR TO THIS DESIGN. ALL PATENT RIGHTS HERE TO ARE EXPRESSLY RESERVED BY ERIKKILA NOSTOTENNIKAA OY, FINLAND.

Drawn - Designer <b>ML</b>	Drawn - Date 26.3.2001	Task - Inspector	Task - Date	Task - Approved by	Task - Date	Task - Order no.	Task - Date	Task - Order no.	Task - Date	Task - Order no.	Task - Date	Task - Order no.	Task - Date	Task - Order no.	Task - Date	Task - Order no.
Pylväskääntönosturi 125kg												Massa - Mass 102				
Column jib crane 125kg												Substi-Scale 1:15				
<b>ERIKKILA</b> ® PROSYSTEM												Liittymä - Ref. desig 11103				
11103												Muutos - Rev.				

# 250 kg

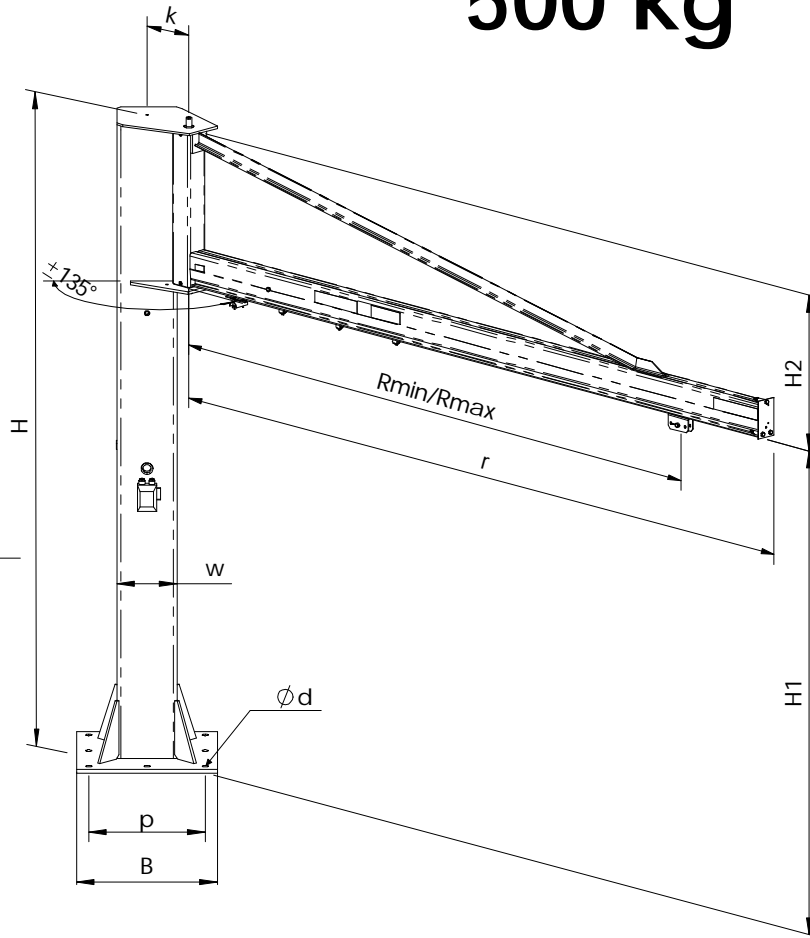


R	Rmax	Rmin	H1 (mm)	prod.nr.	H (mm)	H2 (mm)	r (mm)	k (mm)	w (mm)	deflect. (mm)	profile (mm)	base plate (round)	weight (kg)	base plate (square)	weight (kg)
2	1940	475	2500	60200225	3007					17			112		145
			3000	60200230	3507					20			123		156
			3500	60200235	4007	507	2043	165	150	23	95	D300	135	B500x500	167
			4000	60200240	4507					25		p230	146	p430x430	179
			4500	60200245	5007					28		4x 27mm	157	4x 27mm	190
			5000	60200250	5507					30		169		201	
3	2940	535	2500	60200325	3007					21			179		203
			3000	60200330	3507					23			199		223
			3500	60200335	4007	507	3043	200	200	25	95	D400	218	B500x500	242
			4000	60200340	4507					27		p330	238	p430x430	262
			4500	60200345	5007					29		8x 27mm	257	4x 27mm	281
			5000	60200350	5507					30		277		301	
4	3940	635	2500	60202425	3007					21			251		268
			3000	60202430	3507					22			275		292
			3500	60202435	4007	507	4043	260	250	24	125	D470	299	B500x500	316
			4000	60202440	4507					26		p400	323	p430x430	340
			4500	60202445	5007					28		8x 30mm	347	4x 27mm	364
			5000	60202450	5507					30		371		388	
5	4967	660	2500	60210525	3304					23			343		360
			3000	60210530	3804					25			367		384
			3500	60210535	4304	804	5072	260	250	28	170	D470	391	B500x500	408
			4000	60210540	4804					31		p400	415	p430x430	432
			4500	60210545	5304					33		8x 30mm	439	4x 27mm	456
			5000	60210550	5804					36		463		480	
6	5967	720	2500	60210625	3304			260	250	33		D470	367		425
			3000	60210630	3804			260	250	37			391		449
			3500	60210635	4304	804	6072			29	170		466	B700x700	518
			4000	60210640	4804			295	300	31		D550	495	p580x580	547
			4500	60210645	5304					34		p480	524	8x 30mm	576
			5000	60210650	5804			36		8x 33mm	553		605		
7	6967	830	2500	60210725	3309					37			427		497
			3000	60210730	3809					40		D550	456		526
			3500	60210735	4309	809	7072	295	300	43	170	p480	485	B700x700	555
			4000	60210740	4809					46		8x 33mm	514	p580x580	584
			4500	60210745	5309				340	350	38		--		8x 33mm
			5000	60210750	5809			340	350	40		--		764	
8	7967	830	2500	60210825	3309			295	300	42		D550	482		552
			3000	60210830	3809			295	300	46			511		581
			3500	60210835	4309	809	8072			39	170			B700x700	705
			4000	60210840	4809			340		41		--		p580x580	743
			4500	60210845	5309				350	44				8x 33mm	781
			5000	60210850	5809			46					819		

THIS DRAWING EMBODIES A CONFIDENTIAL PROPRIETARY DESIGN ORIGINATED BY ERIKKILA NOSTITENNIKAA OY AND ALL DESIGN, MANUFACTURING, PRODUCTION, USE, AND SALES RIGHTS REGARDING THE SAME ARE EXPRESSLY RESERVED. IT IS SUBMITTED UNDER A CONFIDENTIAL RELATIONSHIP FOR A SPECIFIC PURPOSE, AND THE RECIPIENT AGREES BY ACCEPTING THIS DRAWING NOT TO SUPPLY OR DISCLOSE ANY INFORMATION REGARDING IT TO ANY UNAUTHORIZED PERSON, OR TO INCORPORATE IN OTHER PROJECTS ANY SPECIAL FEATURES PECULIAR TO THIS DESIGN. ALL PATENT RIGHTS HERE TO ARE EXPRESSLY RESERVED BY ERIKKILA NOSTITENNIKAA OY, FINLAND.

Drawn-Designer <b>ML</b>	Issue-Date <b>29.8.2001</b>	Proj-Work no	Valmistaja - Manufacturing no	Ohjeistelu-Part list	Massa-Mass <b>216</b>
Task - Inspector	Draw-Date	Pylväskääntö 250 kg			Suhte-Scale <b>1:25</b>
Hyv-Approved by	Draw-Date	Column jib crane 250kg			
Issue-Order no		ERIKKILA® PROSYSTEM			
		Liittyy-jib no - Ref. dwg			
		11857			

# 500 kg

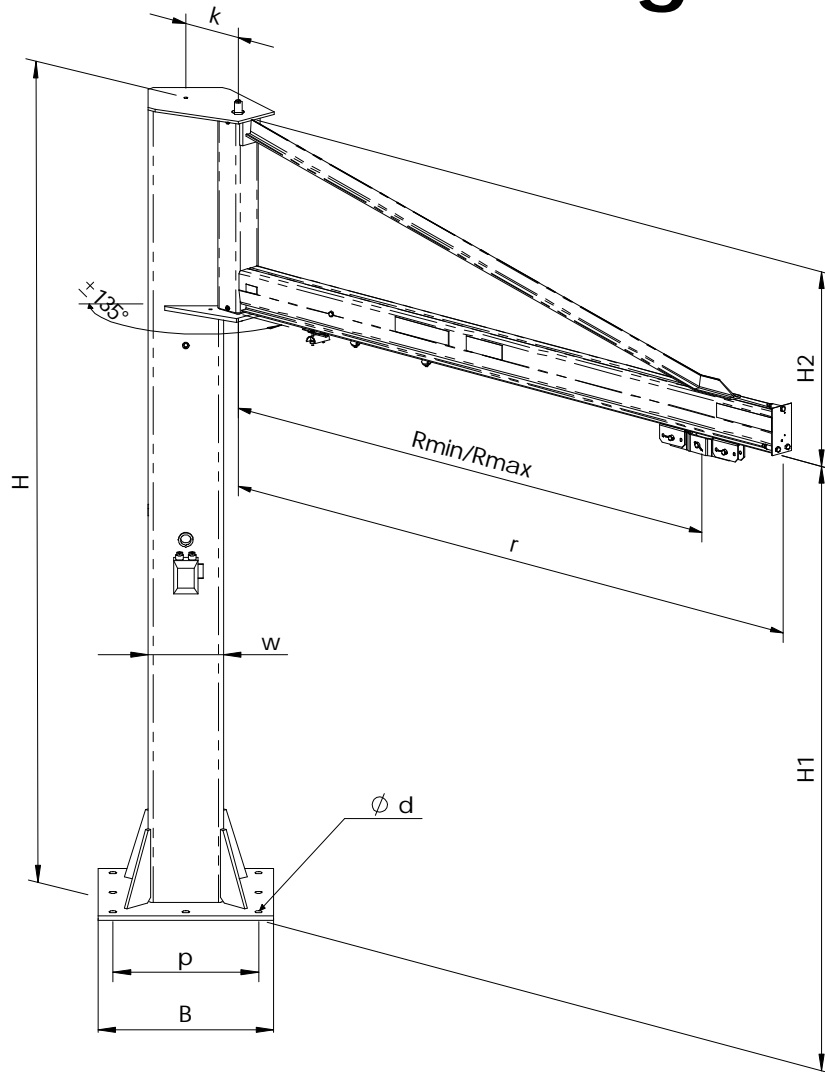


R	Rmax	Rmin	H1 (mm)	prod.nr.	H (mm)	H2 (mm)	r (mm)	k (mm)	w (mm)	deflect. (mm)	profile (mm)	base plate (round)	weight (kg)	base plate (square)	weight (kg)		
2	1815	600	2500	60500225	3007					15			172		196		
			3000	60500230	3507					16			192		216		
			3500	60500235	4007	507	2043	200	200	18	95	D400	211	B500x500	235		
			4000	60500240	4507					20		p330	201	p430x430	255		
			4500	60500245	5007					21		8x 27mm	221	4 x 27mm	274		
3	2815	660	5000	60500250	5507					23			240		294		
			2500	60502325	3007						19			238		255	
			3000	60502330	3507							21			262		279
			3500	60502335	4007	507	3043	260	250	23	125	D470	286	B500x500	303		
			4000	60502340	4507					25		p400	310	p430x430	327		
4	3967	710	4500	60502345	5007					27		8x 30mm	334	4 x 27mm	351		
			5000	60502350	5507						29			358		375	
			2500	60510425	3304							19			364		416
			3000	60510430	3804							22			393		445
			3500	60510435	4304	804	4072	295	300	24	170	D550	422	B700x700	474		
5	4967	770	4000	60510440	4804					26		p480	451	p580x580	503		
			4500	60510445	5304						28		8x 33mm	480	8x 30mm	532	
			5000	60510450	5804						30			509		561	
			2500	60510525	3309							31		D550	384		454
			3000	60510530	3809							295	300		413		483
6	5967	830	3500	60510535	4309	809	5072			28	170			B700x700	607		
			4000	60510540	4809					340	350	30	--		p580x580	645	
			4500	60510545	5309							32			8x 33mm	683	
			5000	60510550	5809							34				721	
			2500	60510625	3309							32					577
7	6967	935	3000	60510630	3809					35					615		
			3500	60510635	4309	809	6072	340	350	38	170	--		B700x700	653		
			4000	60510640	4809					41				p580x580	691		
			4500	60510645	5309					44				8x 33mm	729		
			5000	60510650	5809					46					767		
8	7967	985	2500	60520725	3509					38					654		
			3000	60520730	4009						42					692	
			3500	60520735	4509	1009	7072			340	350	36	230	--	B700x700	770	
			4000	60520740	5009					375	400	39			p580x580	813	
			4500	60520745	5509							41			8x 33mm	856	
9	899	985	5000	60520750	6009					44					899		
			2500	60520825	3509						42					713	
			3000	60520830	4009					375	400	46				756	
			3500	60520835	4509	1009	8072			49	230	49	230	--	B700x700	799	
			4000	60520840	5009							44			p580x580	885	
10	999	985	4500	60520845	5509					46				8x 33mm	932		
			5000	60520850	6009					410	450	48				979	

THIS DRAWING EMBODIES A CONFIDENTIAL PROPRIETARY DESIGN ORIGINATED BY ERIKKILA NOSTITENNIKAA OY AND ALL DESIGN, MANUFACTURING, PRODUCTION, USE, AND SALES RIGHTS REGARDING THE SAME ARE EXPRESSLY RESERVED. IT IS SUBMITTED UNDER A CONFIDENTIAL RELATIONSHIP FOR A SPECIFIC PURPOSE, AND THE RECIPIENT AGREES BY ACCEPTING THIS DRAWING NOT TO SUPPLY OR DISCLOSE ANY INFORMATION REGARDING IT TO ANY UNAUTHORIZED PERSON, OR TO INCORPORATE IN OTHER PROJECTS ANY SPECIAL FEATURES PECULIAR TO THIS DESIGN. ALL PATENT RIGHTS HERE TO ARE EXPRESSLY RESERVED BY ERIKKILA NOSTITENNIKAA OY, FINLAND.

Drawn-Designer <b>ML</b>	Drawn-Date 26.3.2001	Drawn-Work no.	Drawn-Manufacturing no.	Drawn-Part no.	Drawn-Item <b>323</b>
Task-Inspector	Task-Date	<b>PYLVÄSKÄÄNTÖ 500 KG</b>			Scale <b>1:25</b>
Hyv.-Approved by	Hyv.-Date				
Issue-Order no.		<b>ERIKKILA® PROSYSTEM</b>			Lifttyöjärjestelmä - kallioliikenne <b>11112</b>

# 1000 kg



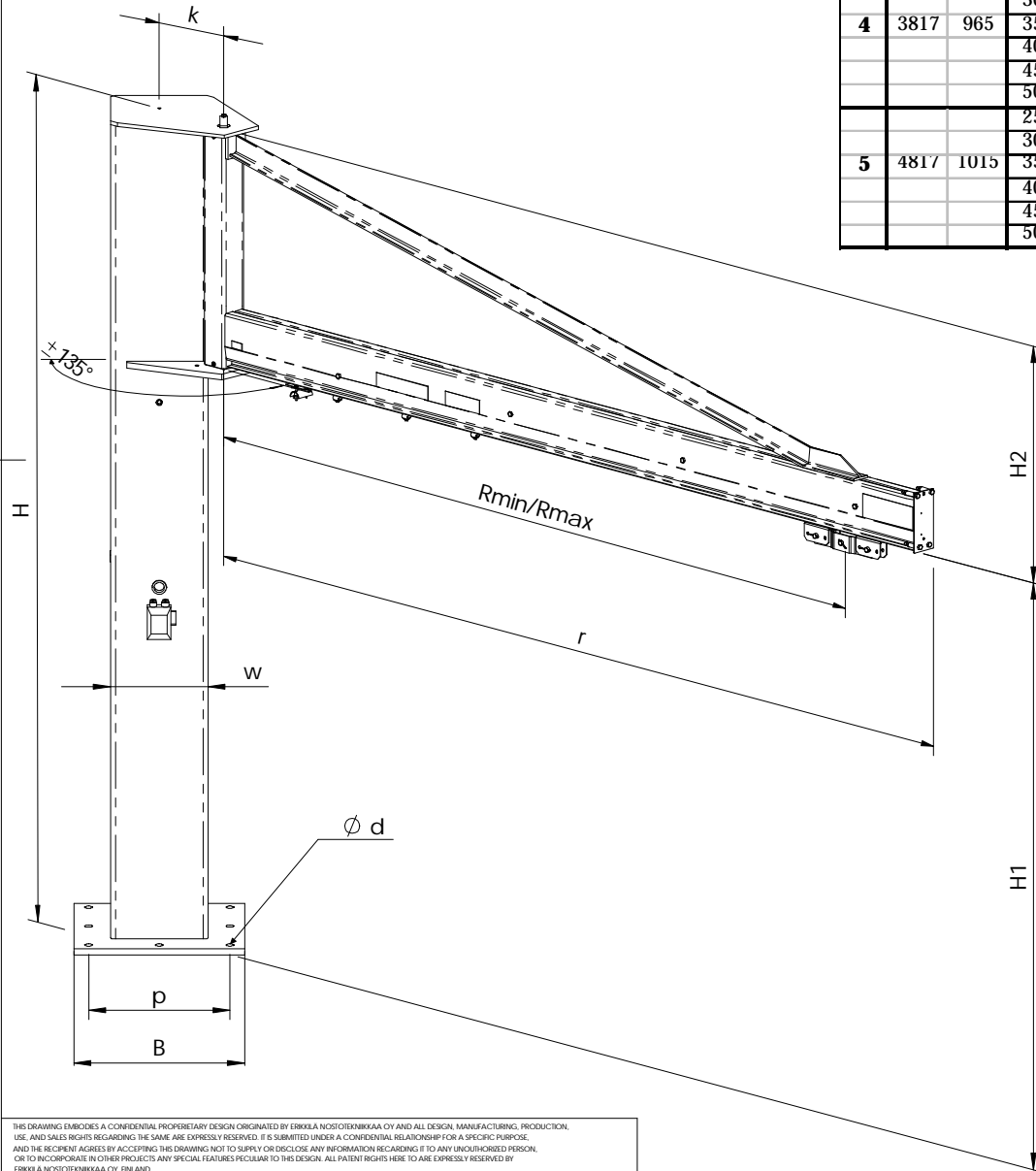
R	Rmax	Rmin	H1 (mm)	prod.nr.	H (mm)	H2 (mm)	r (mm)	k (mm)	w (mm)	deflect. (mm)	profile (mm)	base plate (round)	weight (kg)	base plate (square)	weight (kg)	
3	2817	825	2500	61010325	3304					17			357		409	
			3000	61010330	3804					19			386		438	
			3500	61010335	4304	804	3072	295	300		22	170	D 550	415	B 700x700	467
			4000	61010340	4804						24		p 480	444	p 580x580	496
			4500	61010345	5304						26		d 8x 33mm	473	d 8x 30mm	525
			5000	61010350	5804				29			502		554		
4	3817	965	2500	61010425	3309					25					527	
			3000	61010430	3809					27					565	
			3500	61010435	4309	809	4072	340	350		30	170	--		B 700x700	603
			4000	61010440	4809						32				p 580x580	641
			4500	61010445	5309			375	400		27				d 8x 33mm	725
			5000	61010450	5809				29					768		
5	4817	1015	2500	61010525	3309					30					609	
			3000	61010530	3809					33					652	
			3500	61010535	4309	809	5072	375	400		36	170	--		B 700x700	695
			4000	61010540	4809						31				p 580x580	782
			4500	61010545	5309			410	450		33				d 8x 33mm	829
			5000	61010550	5809				35					876		
6	5817	1075	2500	61020625	3509					35					699	
			3000	61020630	4009					37					B 700x700	746
			3500	61020635	4509	1009	6072	410	450		40	230	--		p 580x580	793
			4000	61020640	5009						43				d 8x 40mm	840
			4500	--												
			5000	--												

THIS DRAWING EMBODIES A CONFIDENTIAL PROPRIETARY DESIGN ORIGINATED BY ERIKKILA NOSTOTENNIKKA OY AND ALL DESIGN, MANUFACTURING, PRODUCTION, USE, AND SALES RIGHTS REGARDING THE SAME ARE EXPRESSLY RESERVED. IT IS SUBMITTED UNDER A CONFIDENTIAL RELATIONSHIP FOR A SPECIFIC PURPOSE, AND THE RECIPIENT AGREES BY ACCEPTING THIS DRAWING NOT TO SUPPLY OR DISCLOSE ANY INFORMATION REGARDING IT TO ANY UNAUTHORIZED PERSON, OR TO INCORPORATE IN OTHER PROJECTS ANY SPECIAL FEATURES PECULIAR TO THIS DESIGN. ALL PATENT RIGHTS HERE TO ARE EXPRESSLY RESERVED BY ERIKKILA NOSTOTENNIKKA OY, FINLAND.

Drawn - Designer <b>ML</b>	Drawn - Date 26.3.2001	Proj. no.	Yhteistyö - no.	Valmistus - Manufacturing no.	Ohjeistus - Part list	Massa - Mass <b>309</b>
Task - Inspector	Task - Date	<b>PYLVÄSKÄÄNTÖ 1000 KG</b>				<b>1:20</b>
Hyvä - Approved by	Hyvä - Date	<b>Column jib crane 1000 kg</b>				
Task - Order no.		<b>ERIKKILA® PROSYSTEM</b>				Massa - Rev.
		Lisätyt piir - Ref. drawing				
		11105				

# 1500 kg

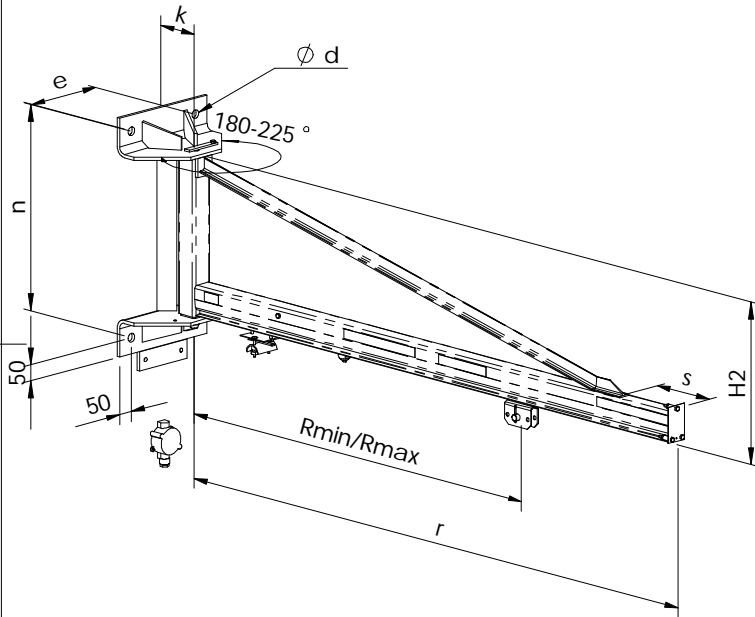
R	Rmax	Rmin	H1 (mm)	prod.nr.	H (mm)	H2 (mm)	r (mm)	k (mm)	w (mm)	deflect. (mm)	profile (mm)	base plate (round)	weight (kg)	base plate (square)	weight (kg)
3	2817	875	2500	61510325	3309					19					504
			3000	61510330	3809					21					542
			3500	61510335	4309	809	3072	340	350	23	170	--		B700x700	580
			4000	61510340	4809					25				p580x580	618
			4500	61510345	5309					27				8 x 33mm	656
4	3817	965	2500	61520425	3509					30					598
			3000	61520430	4009					27					641
			3500	61520435	4509	1009	4072	375	400	30	230	--		B700x700	684
			4000	61520440	5009					32				p580x580	727
			4500	61520445	5509					34				8 x 33mm	770
5	4817	1015	2500	61520525	3509					37					813
			3000	61520530	4009	1009	5072	410	450	32	230	--		B700x700	699
			3500	61520535	4509					35				p580x580	746
			4000	--						37				8 x 40mm	793
			4500	--											
			5000	--											



THIS DRAWING EMBODIES A CONFIDENTIAL PROPRIETARY DESIGN ORIGINATED BY ERIKKILA NOSTOTENNIKAA OY AND ALL DESIGN, MANUFACTURING, PRODUCTION, USE, AND SALES RIGHTS REGARDING THE SAME ARE EXPRESSLY RESERVED. IT IS SUBMITTED UNDER A CONFIDENTIAL RELATIONSHIP FOR A SPECIFIC PURPOSE, AND THE INCORPORATOR AGREES BY ACCEPTING THIS DRAWING NOT TO SUPPLY OR DISCLOSE ANY INFORMATION REGARDING IT TO ANY UNAUTHORIZED PERSON, OR TO INCORPORATE IN OTHER PROJECTS ANY SPECIAL FEATURES PECULIAR TO THIS DESIGN. ALL PATENT RIGHTS HERE TO ARE EXPRESSLY RESERVED BY ERIKKILA NOSTOTENNIKAA OY, FINLAND.

Drawn - Designer <b>ML</b>	Drawn - Date <b>27.3.2001</b>	Typo-Work no.	Valmistus - Manufacturing no.	Ohjeistelu-Part list	Massa-Weight <b>382</b>
Task - Inspector	Task - Date	<b>PYLVÄSKÄÄNTÖ 1500 KG</b>			Subtle-Scale
Hyv. - Approved by	Hyv. - Date	<b>Column jib crane 1500 kg</b>			<b>1:20</b>
Revisi-Order no.					
<b>ERIKKILA®</b>		<b>PROSYSTEM</b>		Liittyy jib no - Ref. drawing	
				Projekti-Drawing no. <b>11117</b>	Muutos - Rev.

# 125-250-500 -1000-1500 kg



Nominal reach	Load	Product nr.	Profile	Jib							Console							
				Rmax	Rmin	trolleys	r	H2	s	weight	k	n	e	d	force / anchor	weight	total weight	deflection
m	kg			mm	mm	1/2	mm	mm	mm	kg	mm	mm	mm	mm	kN	kg	kg	mm
.	125	501002	.	1940	475	1	.	.	.	28	.	.	.	.	2,9	23	51	2
<b>2</b>	250	502002	95	1940	475	1	2043	507	215	28	140	640	270	27	5	23	51	3
.	500	505002	.	1815	600	2	.	.	.	32	.	.	.	.	9	23	55	5
.	125	501003	95	2940	535	1	3043	507	515	36	140	640	270	27	4,3	23	59	5
.	250	502003	95	2940	535	1	3043	507	515	36	140	640	270	27	7,6	23	59	9
<b>3</b>	500	505023	125	2815	660	2	3043	507	450	50	140	640	270	27	14,1	23	73	9
.	1000	510103	170	2817	825	2	3072	804	260	110	200	980	340	33	19,4	58	168	4
.	1500	515103	.	2817	825	2	.	804	.	110	.	.	.	.	27,4	58	168	6
.	125	501004	95	3940	575	1	4043	507	915	45	140	640	270	27	5,9	23	68	13
.	250	502024	125	3940	635	1	4043	507	650	63	140	640	270	27	10,8	23	86	11
<b>4</b>	500	505104	170	3967	710	1	.	804	710	111	.	980	.	.	13,5	58	169	7
.	1000	510104	.	3817	965	2	4072	804	.	130	200	.	340	33	25,8	58	188	10
.	1500	515204	230	3817	965	2	.	1009	360	152	.	1180	.	.	31	63	215	9
.	125	501025	125	4940	635	1	5043	507	.	75	140	640	270	27	7,2	23	98	11
.	250	502105	170	4967	660	1	.	804	960	131	.	.	.	.	9,6	58	189	7
<b>5</b>	500	505105	.	.	770	1	5072	804	.	131	200	980	340	33	17	58	189	12
.	1000	510105	.	4817	1015	2	.	804	660	188	.	.	.	.	32,6	58	246	19
.	1500	515205	230	4817	1015	2	.	1009	460	212	.	1180	.	.	39,3	63	275	15
.	125	501026	125	5940	695	1	6043	507	850	90	140	640	270	27	9,1	23	113	17
<b>6</b>	250	502106	170	5967	720	1	6072	804	960	155	200	980	340	33	11,8	58	213	11
.	500	505106	.	.	830	1	.	804	.	177	.	.	.	.	21	58	235	15
.	1000	510206	230	5817	1075	2	.	1009	760	212	.	1180	.	.	33	63	275	19
.	125	501107	170	.	780	.	.	804	1360	174	.	.	.	.	9,1	58	232	11
<b>7</b>	250	502107	170	6967	830	1	7072	804	1360	174	200	980	340	33	14,1	58	232	19
.	500	505207	230	.	935	.	.	1009	960	235	.	1180	.	.	21,3	63	298	15
.	125	501108	170	.	780	.	.	804	1060	198	.	.	.	.	10,8	58	256	13
<b>8</b>	250	502108	170	7967	830	1	8072	804	1060	229	200	980	340	33	17,1	58	287	19
.	500	505208	230	.	985	.	.	1009	1160	264	.	1180	.	.	24,7	63	327	22

THIS DRAWING EMBODIES A CONFIDENTIAL PROPRIETARY DESIGN ORIGINATED BY ERIKKILA NOSTOTENNIKAA OY AND ALL DESIGN, MANUFACTURING, PRODUCTION, USE, AND SALES RIGHTS REGARDING THE SAME, ARE EXPRESSLY RESERVED. IT IS SUBMITTED UNDER A CONFIDENTIAL RELATIONSHIP FOR A SPECIFIC PURPOSE, AND THE RECIPIENT AGREES BY ACCEPTING THIS DRAWING NOT TO SUPPLY OR DISCLOSE ANY INFORMATION REGARDING IT TO ANY UNAUTHORIZED PERSON, OR TO INCORPORATE IN OTHER PROJECTS ANY SPECIAL FEATURES PECULIAR TO THIS DESIGN. ALL PATENT RIGHTS HERE TO ARE EXPRESSLY RESERVED BY ERIKKILA NOSTOTENNIKAA OY, FINLAND.

Drawn - Designer <b>ML</b>	Drawn Date <b>28.3.2001</b>	Symbol no.	Valmistus - Manufacturing no.	Ohjeistelu - Part list	Massa - Mass <b>46</b>
Task - Inspector	Task Date	<b>SEINÄKÄÄNTÖNOSTURI</b>			Substi - Scale <b>1:15</b>
Hyv. - Approved by	Hyv. Date	<b>WALL-MOUNTED JIB CRANE</b>			
Revis - Order no.					
<b>ERIKKILA®</b>		<b>PROSYSTEM</b>		Liittymä - Ref. desc.	
				Projekti - Drawing no. <b>11136</b>	Muutos - Rev.