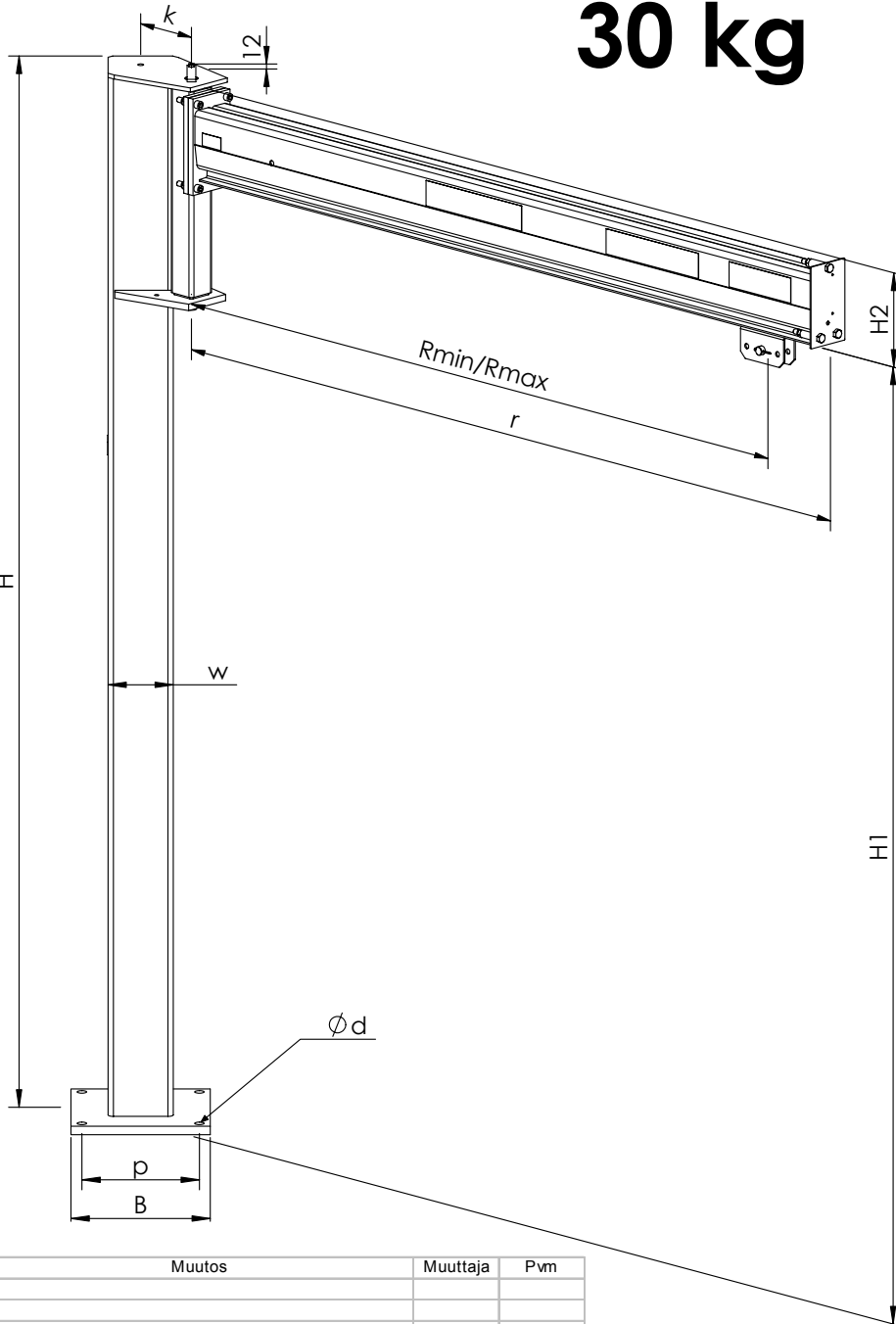


30 kg



R	Rmax	Rmin	H1 (mm)	prod.nr.	H (mm)	H2 (mm)	r (mm)	k (mm)	w (mm)	deflect. (mm)	profile (mm)	base plate (mm)	weight (kg)	
1	980	370	1857	603009120	2007	150	1073	165	150	1	95	B320x320	90	
			2357	603009125	2507	150					1		p270x270	101
			2857	603009130	3007	150					1		4x d22mm	112
			3357	603009135	3507	150					1			123
2	1980	420	1857	603009220	2007	150	2073	165	150	5	95	B320x320	97	
			2357	603009225	2507	150					6		p270x270	108
			2857	603009230	3007	150					6		4x d22mm	119
			3357	603009235	3507	150					7			130
3	2980	470	1827	603012320	2007	180	3073	165	150	10	125	B320x320	134	
			2327	603012325	2507	180					10		p270x270	145
			2827	603012330	3007	180					11		4x d22mm	156
			3327	603012335	3507	180					11			167

For loads up to 30 and 50 kg; without Power supply.

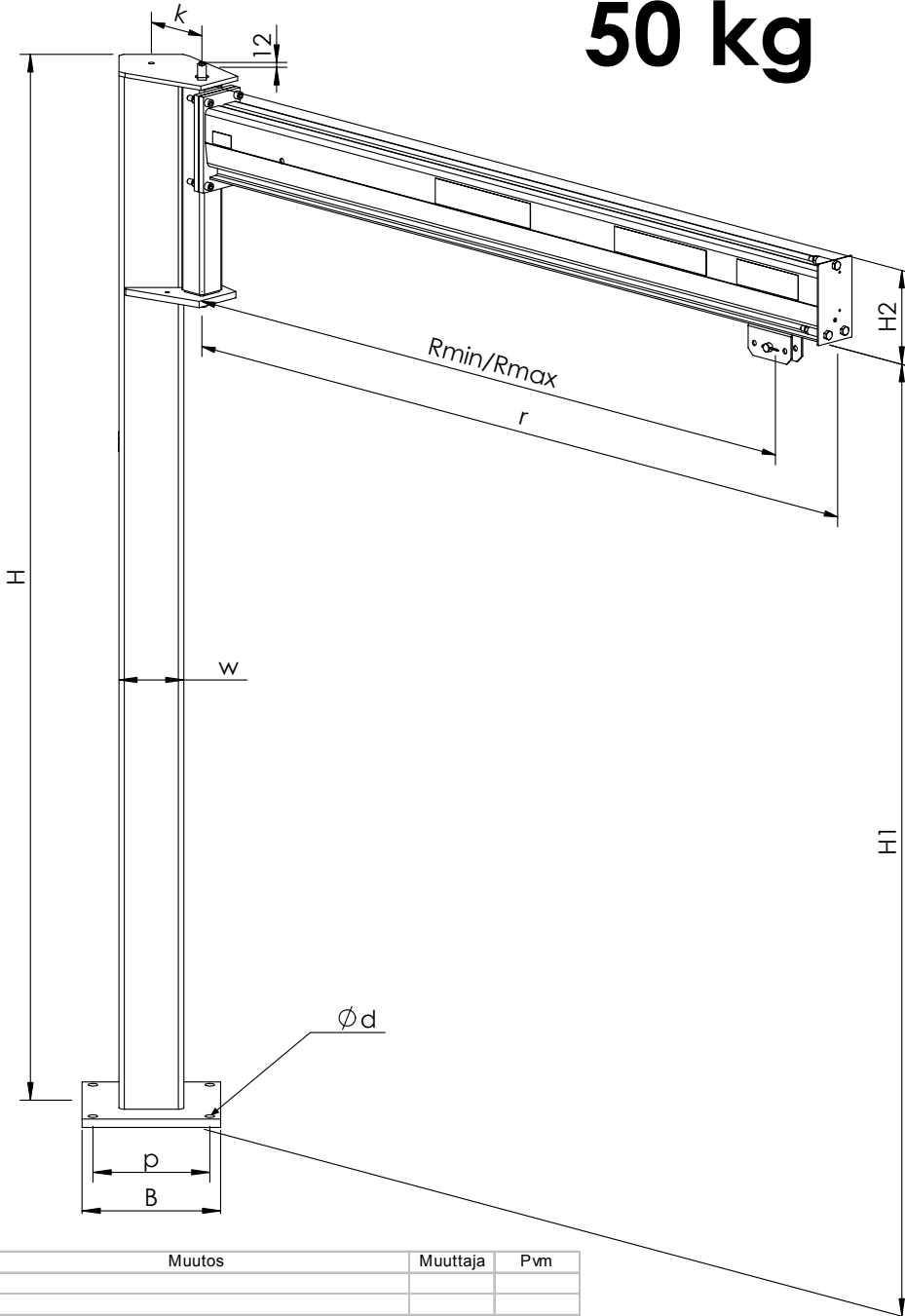
For loads up to 80, 125 and 250 kg; with flat cable power supply.

Revisio	Muutos	Muuttaja	Pvm

THIS DRAWING EMBODIES A CONFIDENTIAL PROPRIETARY DESIGN ORIGINATED BY ERIKKILÄ NOSTOTEKNIIKKA OY AND ALL DESIGN, MANUFACTURING, PRODUCTION, USE, AND SALES RIGHTS REGARDING THE SAME ARE EXPRESSLY RESERVED. IT IS SUBMITTED UNDER A CONFIDENTIAL RELATIONSHIP FOR A SPECIFIC PURPOSE, AND THE RECIPIENT AGREES BY ACCEPTING THIS DRAWING NOT TO SUPPLY OR DISCLOSE ANY INFORMATION REGARDING IT TO ANY UNAUTHORIZED PERSON, OR TO INCORPORATE IN OTHER PROJECTS ANY SPECIAL FEATURES PECULIAR TO THIS DESIGN. ALL PATENT RIGHTS HERE TO ARE EXPRESSLY RESERVED BY ERIKKILÄ NOSTOTEKNIIKKA OY, FINLAND.

Suun-Designer KJM	Pvm-Date 3.2.2003	Työ-Work no	Valmistus - Manufacturing no	Chaukettelo-Part list	Massa-Mass 110
Tark-Inspector	Pvm-Date	Pylväskääntönosturi, matala			Suhde-Scale 1:12
Hyv-Approved by	Pvm-Date	Column Jib Crane, Low construction			
Tilaus-Order no					
ERIKKILÄ				Liittyvä piir.no - Ref. dwg	
				Piirustus-Drawing no 12147	Muutos - Rev.

50 kg



R	Rmax	Rmin	H1 (mm)	prod.nr.	H (mm)	H2 (mm)	r (mm)	k (mm)	w (mm)	deflect. (mm)	profile (mm)	base plate (mm)	weight (kg)	
1	980	370	1857	605009120	2007	150	1073	165	150	2	95	B320x320	90	
			2357	605009125	2507	150					2		p270x270	101
			2857	605009130	3007	150					2		4x d22mm	112
			3357	605009135	3507	150					2			123
2	1980	420	1857	605009220	2007	150	2073	165	150	9	95	B320x320	97	
			2357	605009225	2507	150					10		p270x270	108
			2857	605009230	3007	150					10		4x d22mm	119
			3357	605009235	3507	150					11			130
3	2980	470	1827	605012320	2007	180	3073	165	150	16	125	B320x320	134	
			2327	605012325	2507	180					17		p270x270	145
			2827	605012330	3007	180					18		4x d22mm	156
			3327	605012335	3507	180					19			167

For loads up to 30 and 50 kg; without Power supply.

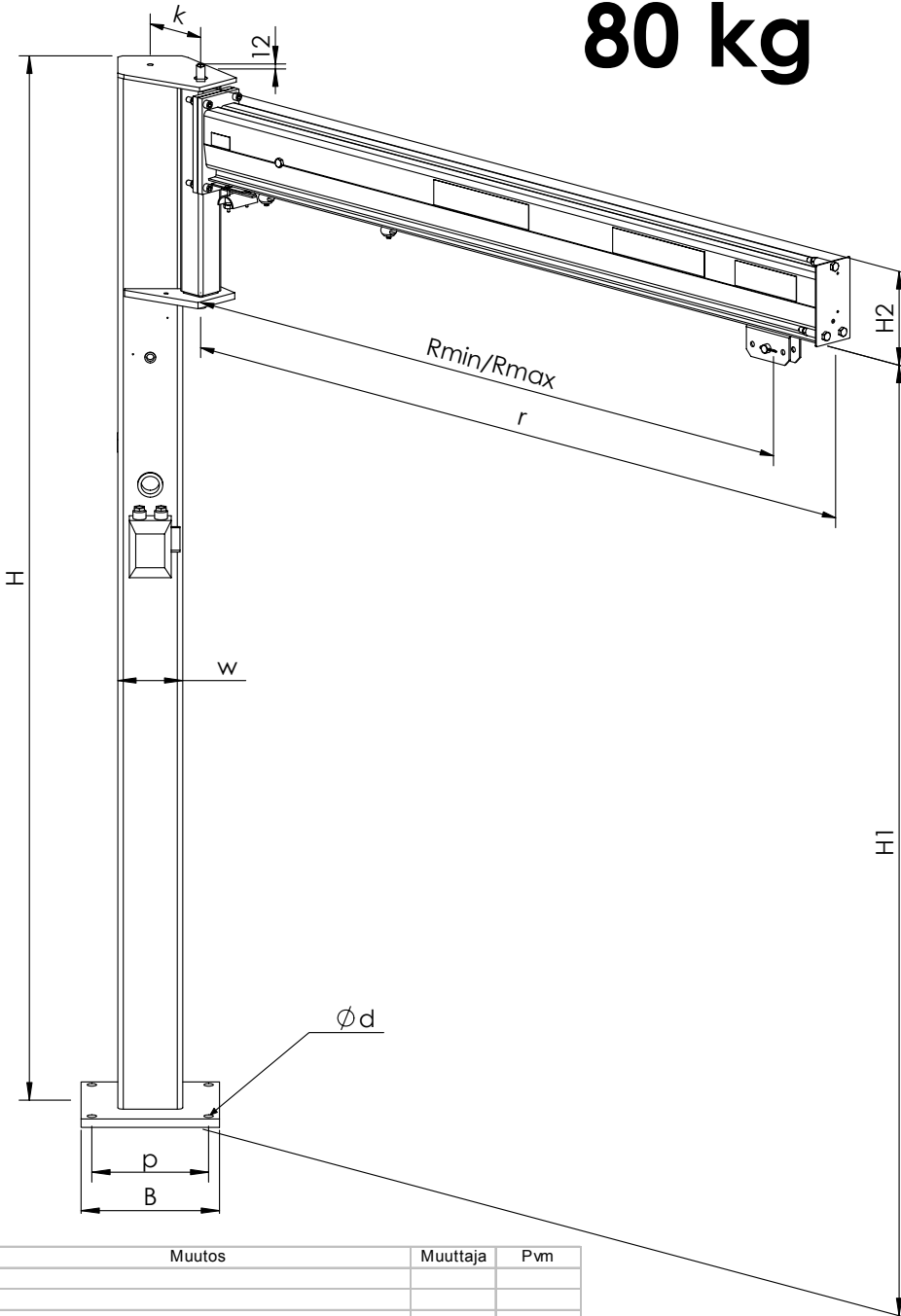
For loads up to 80, 125 and 250 kg; with flat cable power supply.

Revisio	Muutos	Muuttaja	Pvm

THIS DRAWING EMBODIES A CONFIDENTIAL PROPRIETARY DESIGN ORIGINATED BY ERIKKILÄ NOSTOTEKNIIKKA OY AND ALL DESIGN, MANUFACTURING, PRODUCTION, USE, AND SALES RIGHTS REGARDING THE SAME ARE EXPRESSLY RESERVED. IT IS SUBMITTED UNDER A CONFIDENTIAL RELATIONSHIP FOR A SPECIFIC PURPOSE, AND THE RECIPIENT AGREES BY ACCEPTING THIS DRAWING NOT TO SUPPLY OR DISCLOSE ANY INFORMATION REGARDING IT TO ANY UNAUTHORIZED PERSON, OR TO INCORPORATE IN OTHER PROJECTS ANY SPECIAL FEATURES PECULIAR TO THIS DESIGN. ALL PATENT RIGHTS HERE TO ARE EXPRESSLY RESERVED BY ERIKKILÄ NOSTOTEKNIIKKA OY, FINLAND.

Suun-Designer KJM	Pvm-Date 3.2.2003	Yö-Work no	Valmistus - Manufacturing no	Chauvetlelo-Part list	Massa-Mass 110
Task - Inspector		Pylväskääntönosturi, matala			Suhte-Scale 1:12
Pvm-Date		Column Jib Crane, Low construction			
Pvm-Date		Tilaus-Order no			
ERIKKILÄ				Lisäy-pik.no - Ref. dwg	
				Pilatus-Drawing no 12148	Muutos - Rev.

80 kg



R	Rmax	Rmin	H1 (mm)	prod.nr.	H (mm)	H2 (mm)	r (mm)	k (mm)	w (mm)	deflect. (mm)	profile (mm)	base plate (mm)	weight (kg)
1	980	370	1857	608009120	2007	150	1073	165	150	2	95	B320x320	90
			2357	608009125	2507	150				2		p270x270	101
			2857	608009130	3007	150				3		4x d22mm	112
			3357	608009135	3507	150				3			123
2	1980	420	1827	608012220	2007	180	2073	165	150	8	125	B320x320	100
			2327	608012225	2507	180				9		p270x270	111
			2827	608012230	3007	180				10		4x d22mm	122
			3327	608012235	3507	180				11			133
3	2973	470	1782	608017320	2007	225	3077	165	150	12	170	B320x320	134
			2282	608017325	2507	225				14		p270x270	145
			2782	608017330	3007	225				16		4x d22mm	156
			3282	608017335	3507	225				18			167

For loads up to 30 and 50 kg; without Power supply.

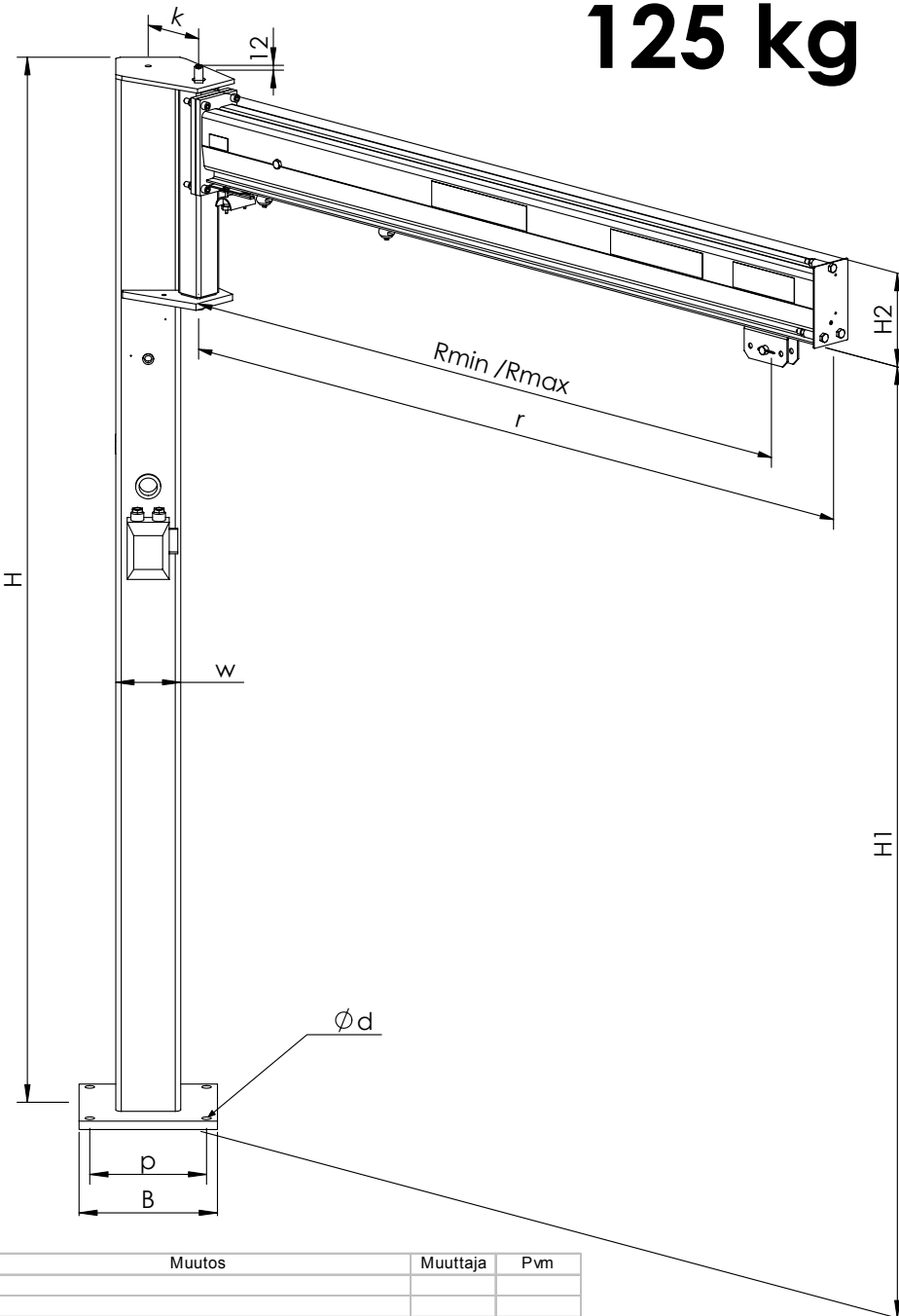
For loads up to 80, 125 and 250 kg; with flat cable power supply.

Revisio	Muutos	Muuttaja	Pvm

Suun-Designer KJM	Pvm-Date 3.2.2003	Työ-Work no	Valmistus - Manufacturing no	Chaukettelo-Part list	Massa-Mass 111
Task - Inspector	Pvm-Date	Pylväskääntönosturi, matala			Suhte-Scale 1:12
Hyv-Approved by	Pvm-Date	Column Jib Crane, Low construction			
Tilaus-Order no					
ERIKKILA®				Lisäyys-pik.no - Ref. dwg	
				Pilatus-Drawing no 12149	Muutos - Rev.

THIS DRAWING EMBODIES A CONFIDENTIAL PROPRIETARY DESIGN ORIGINATED BY ERIKKILÄ NOSTOTEKNIIKAA OY AND ALL DESIGN, MANUFACTURING, PRODUCTION, USE, AND SALES RIGHTS REGARDING THE SAME ARE EXPRESSLY RESERVED. IT IS SUBMITTED UNDER A CONFIDENTIAL RELATIONSHIP FOR A SPECIFIC PURPOSE, AND THE RECIPIENT AGREES BY ACCEPTING THIS DRAWING NOT TO SUPPLY OR DISCLOSE ANY INFORMATION REGARDING IT TO ANY UNAUTHORIZED PERSON, OR TO INCORPORATE IN OTHER PROJECTS ANY SPECIAL FEATURES PECULIAR TO THIS DESIGN. ALL PATENT RIGHTS HERE TO ARE EXPRESSLY RESERVED BY ERIKKILÄ NOSTOTEKNIIKAA OY, FINLAND.

125 kg



R	Rmax	Rmin	H1 (mm)	prod.nr.	H (mm)	H2 (mm)	r (mm)	k (mm)	w (mm)	deflect. (mm)	profile (mm)	base plate (mm)	weight (kg)	
1	980	475	1827	612512120	2007	180	1073	165	150	2	125	B320x320	92	
			2327	612512125	2507	180					3		p270x270	103
			2827	612512130	3007	180					3		4x d22mm	114
			3327	612512135	3507	180					4			125
2	1980	420	1827	612512220	2007	180	2073	165	150	13	125	B320x320	100	
			2327	612512225	2507	180					14		p270x270	111
			2827	612512230	3007	180					15		4x d22mm	122
			3327	612512235	3507	180					16			133
3	2973	470	1782	612517320	2007	225	3077	200	200	12	170	B320x320	165	
			2282	612517325	2507	225					13		p270x270	185
			2782	612517330	3007	225					14		4x d22mm	205
			3282	612517335	3507	225					15			225

For loads up to 30 and 50 kg; without Power supply.

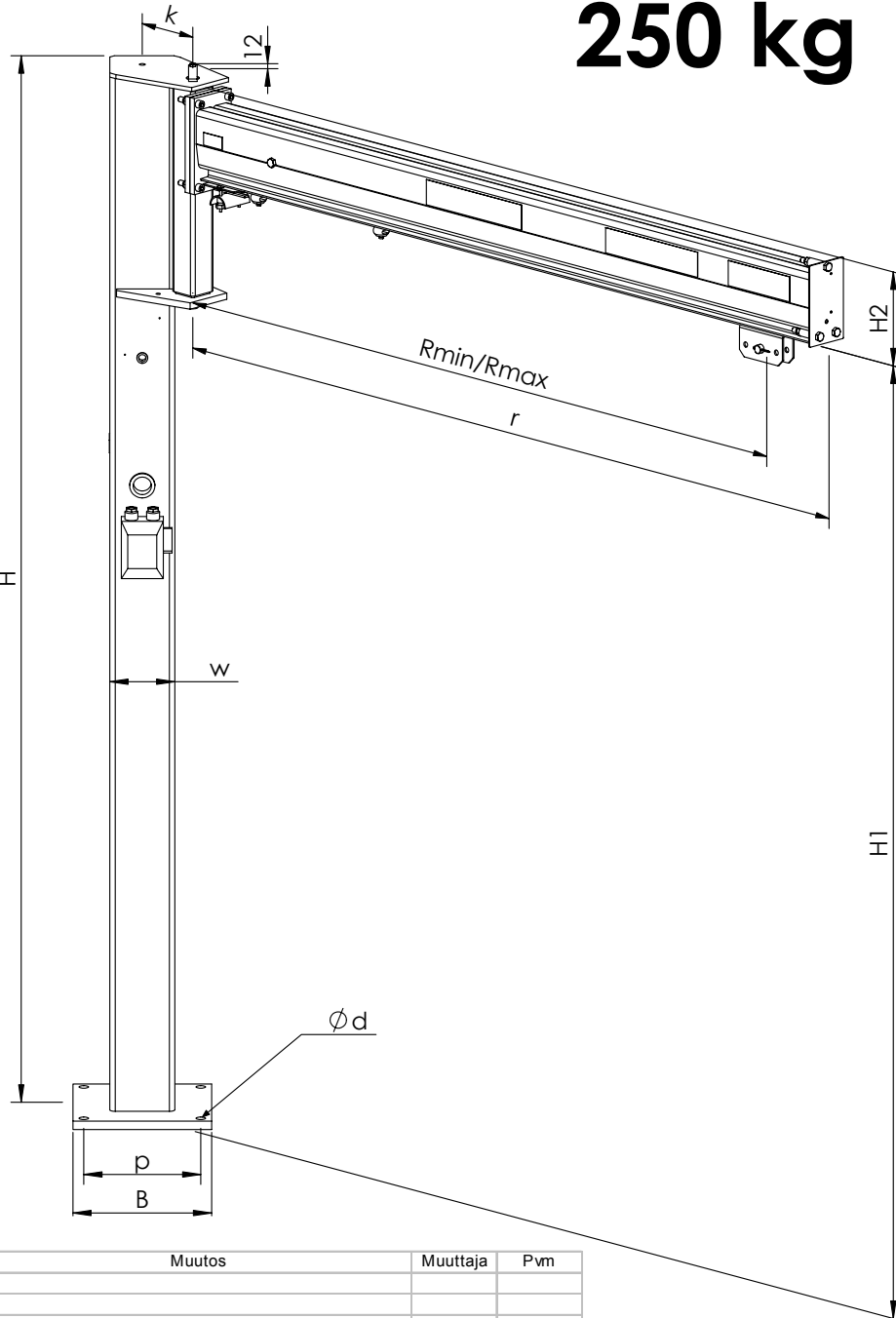
For loads up to 80, 125 and 250 kg; with flat cable power supply.

Revisio	Muutos	Muuttaja	Pvm

Suun-Designer KJM	Pvm-Date 3.2.2003	Työ-Work no	Valmistus - Manufacturing no	Chaukettelo-Part list	Massa-Mass 111
Task - Inspector		Pylväskääntönosturi, matala			Suhte-Scale 1:12
Pvm-Approved by		Column Jib Crane, Low construction			
Title-Order no		Lisäyys-pik.no - Ref. dwg			Muutos - Rev.
ERIKKILA ®				Pikitus-Drawing no 12150	

THIS DRAWING EMBODIES A CONFIDENTIAL PROPRIETARY DESIGN ORIGINATED BY ERIKKILÄ NOSTOTEKNIIKKA OY AND ALL DESIGN, MANUFACTURING, PRODUCTION, USE, AND SALES RIGHTS REGARDING THE SAME ARE EXPRESSLY RESERVED. IT IS SUBMITTED UNDER A CONFIDENTIAL RELATIONSHIP FOR A SPECIFIC PURPOSE, AND THE RECIPIENT AGREES BY ACCEPTING THIS DRAWING NOT TO SUPPLY OR DISCLOSE ANY INFORMATION REGARDING IT TO ANY UNAUTHORIZED PERSON, OR TO INCORPORATE IN OTHER PROJECTS ANY SPECIAL FEATURES PECULIAR TO THIS DESIGN. ALL PATENT RIGHTS HERE TO ARE EXPRESSLY RESERVED BY ERIKKILÄ NOSTOTEKNIIKKA OY, FINLAND.

250 kg



R	Rmax	Rmin	H1 (mm)	prod.nr.	H (mm)	H2 (mm)	r (mm)	k (mm)	w (mm)	deflect. (mm)	profile (mm)	base plate (mm)	weight (kg)
1	980	475	1738	625012120	2007	180	1073	165	150	5	125	B320x320	92
			2238	625012125	2507	180				6		p270x270	103
			2738	625012130	3007	180				7		4x d22mm	114
			3238	625012135	3507	180				8			125
2	1973	420	1783	625017220	2007	225	2077	200	200	9	170	B320x320	149
			2283	625017225	2507	225				10		p270x270	169
			2783	625017230	3007	225				11		4x d22mm	189
			3283	625017235	3507	225				12			209
3	2973	470	1783	625017320	2007	225	3077	260	250	17	170	B500x500	259
			2283	625017325	2507	225				18		p430x430	283
			2783	625017330	3007	225				19		4x d27mm	307
			3283	625017335	3507	225				20			331

For loads up to 30 and 50 kg; without Power supply.

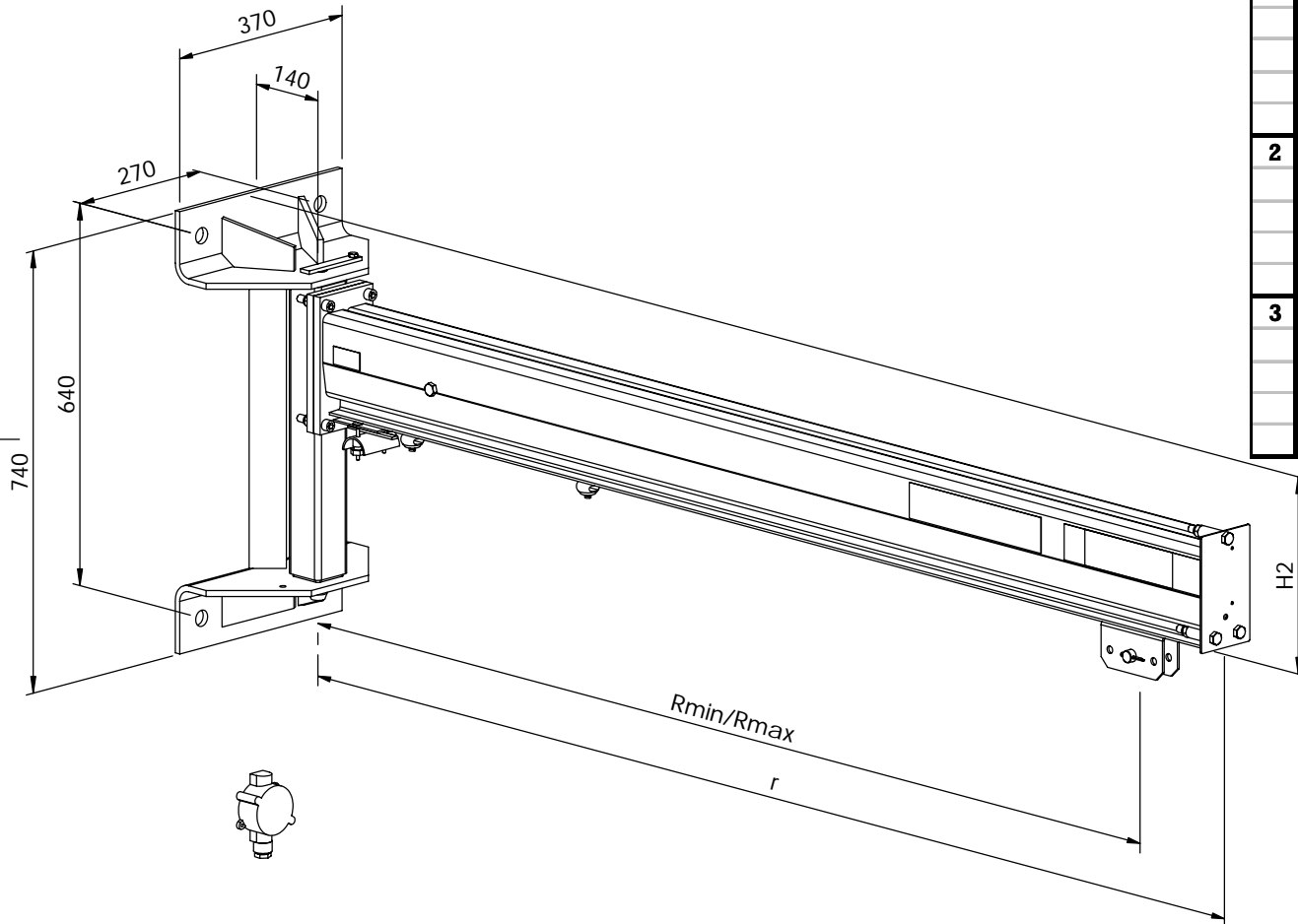
For loads up to 80, 125 and 250 kg; with flat cable power supply.

Revisio	Muutos	Muuttaja	Pvm

THIS DRAWING EMBODIES A CONFIDENTIAL PROPRIETARY DESIGN ORIGINATED BY ERIKKILÄ NOSTOTEKNIIKKA OY AND ALL DESIGN, MANUFACTURING, PRODUCTION, USE, AND SALES RIGHTS REGARDING THE SAME ARE EXPRESSLY RESERVED. IT IS SUBMITTED UNDER A CONFIDENTIAL RELATIONSHIP FOR A SPECIFIC PURPOSE, AND THE RECIPIENT AGREES BY ACCEPTING THIS DRAWING NOT TO SUPPLY OR DISCLOSE ANY INFORMATION REGARDING IT TO ANY UNAUTHORIZED PERSON, OR TO INCORPORATE IN OTHER PROJECTS ANY SPECIAL FEATURES PECULIAR TO THIS DESIGN. ALL PATENT RIGHTS HERE TO ARE EXPRESSLY RESERVED BY ERIKKILÄ NOSTOTEKNIIKKA OY, FINLAND.

Suun-Designer KJM	Pvm-Date 3.2.2003	Yö-Work no	Valmistus - Manufacturing no	Chauertelelo-Part list	Massa-Mass 111
Task - Inspector	Pvm-Date	Pylväskääntönosturi, matala			Suhde-Scale 1:12
Hyv-Approved by	Pvm-Date	Column Jib Crane, Low construction			
Tilaus-Order no					
ERIKKILÄ ®				Liittyvä piir. no - Ref. dwg	
				Piirustus-Drawing no 12146	Muutos - Rev.

30-250 kg



Nominal reach	Load	Product nr.	Profile	Rmax	Rmin	r	H2	jib weight	Console weight	total weight	deflection
				mm	mm	mm	mm	kg	kg	kg	mm
1	30	5030091	95	980	150	1073	255	18	23	41	1
	50	5050091	95	980	150	1073	255	18	23	41	1
	80	5080091	95	980	250	1073	255	18	23	41	2
	125	5125121	125	980	250	1073	285	19	23	42	1
	250	5250121	125	980	250	1073	285	19	23	42	2
2	30	5030092	95	1980	150	2073	255	25	23	48	4
	50	5050092	95	1980	150	2073	255	25	23	48	7
	80	5080122	125	1980	290	2073	285	28	23	51	6
	125	5125122	125	1980	290	2073	285	28	23	51	7
	250	5250172	170	1973	320	2077	330	45	23	68	4
3	30	5030123	125	2980	150	3073	285	36	23	59	7
	50	5050123	125	2980	150	3073	285	36	23	59	11
	80	5080173	170	2980	340	3073	330	62	23	85	5
	125	5125173	170	2973	380	3077	330	62	23	85	7
	250	5250173	170	2973	380	3077	330	62	23	85	13

For loads up to 30 and 50 kg; without Power supply.

For loads up to 80, 125 and 250 kg; with flat cable power supply.

Revisio	Muutos	Muuttaja	Pvm

THIS DRAWING EMBODIES A CONFIDENTIAL PROPRIETARY DESIGN ORIGINATED BY ERIKKILA NOSTOTEKNIIKKA OY AND ALL DESIGN, MANUFACTURING, PRODUCTION, USE, AND SALES RIGHTS REGARDING THE SAME ARE EXPRESSLY RESERVED. IT IS SUBMITTED UNDER A CONFIDENTIAL RELATIONSHIP FOR A SPECIFIC PURPOSE, AND THE RECIPIENT AGREES BY ACCEPTING THIS DRAWING NOT TO SUPPLY OR DISCLOSE ANY INFORMATION REGARDING IT TO ANY UNAUTHORIZED PERSON, OR TO INCORPORATE IN OTHER PRODUCTS ANY SPECIAL FEATURES PECULIAR TO THIS DESIGN. ALL PATENT RIGHTS HERE TO ARE EXPRESSLY RESERVED BY ERIKKILA NOSTOTEKNIIKKA OY, FINLAND.

Suun. Designer KJM	Pvm-Date 21.1.2002	Yty-Work no	Valmistus - Manufacturing no	Osaustieto-Part list	Materiaali- Material no 65
Tark. Inspector	Pvm-Date	Seinäkääntönosturi, matala			Suhte- Scale 1:8
Hyt. Approved by	Pvm-Date	Wall-mounted jib crane, low construction			
Tilau-Order no					
ERIKKILA®				Piirustus-Drawing no 11905	Muutos - Rev.